



# NOCO genius 10

MODE  12V  12V AGM  12V LITHIUM



# NOCO genius®

## NOCO genius 5

MODE  12V REPAIR  12V AGM  12V LITHIUM  6V

## NOCO genius

# 1™

# NOCO®

PROPRIETARY AND CONFIDENTIAL. COPYRIGHT © 2019 THE NOCO COMPANY

THIS DOCUMENT CONTAINS PROPRIETARY, CONFIDENTIAL, COPYRIGHTED, AND TRADE SECRET INFORMATION OF THE NOCO COMPANY AND ITS AFFILIATED COMPANIES ("NOCO"). ALL MATERIAL, INFORMATION, AND CONTENT ARE THE PROPERTY OF NOCO, AND NOCO RETAINS ALL RIGHT, TITLE, AND INTEREST THEREIN. THIS DOCUMENT MAY NOT BE COPIED, DISSEMINATED, DISCLOSED, PUBLISHED, DIVULGED, OR REPRODUCED, IN WHOLE OR IN PART, WITHOUT THE PRIOR WRITTEN CONSENT OF NOCO. TITLE IN AND TO THIS DOCUMENT (NO MATTER IF IN PRINTED, ELECTRONIC, OR ANY OTHER FORM) AND ALL INFORMATION CONTAINED HEREIN REMAINS AT ALL TIMES IN NOCO. NO INTELLECTUAL PROPERTY RIGHTS ARE TRANSFERRED TO YOU BY ACCESS TO THIS DOCUMENT OR OTHERWISE.



# THE ALL NEW GENIUS SERIES. MORE POWER. MORE PERFORMANCE.

We designed our chargers— well— to be more genius. Improved charging with more performance and more automation than ever before. An advanced architecture that pushes the limits of power-efficiency for incredibly compact size and unprecedented power. **Welcome to the all-new Genius.**

UP TO

**45%**

MORE POWER

UP TO

**40%**

SMALLER SIZE

**LITHIUM**  
CHARGE MODE



The All New NOCO GENIUS2  
Next To The Previous NOCO G1100.

PROPRIETARY AND CONFIDENTIAL. COPYRIGHT © 2019 THE NOCO COMPANY

THIS DOCUMENT CONTAINS PROPRIETARY, CONFIDENTIAL, COPYRIGHTED, AND TRADE SECRET INFORMATION OF THE NOCO COMPANY AND ITS AFFILIATED COMPANIES ("NOCO"). ALL MATERIAL, INFORMATION, AND CONTENT ARE THE PROPERTY OF NOCO, AND NOCO RETAINS ALL RIGHT, TITLE, AND INTEREST THEREIN. THIS DOCUMENT MAY NOT BE COPIED, DISSEMINATED, DISCLOSED, PUBLISHED, DIVULGED, OR REPRODUCED, IN WHOLE OR IN PART, WITHOUT THE PRIOR WRITTEN CONSENT OF NOCO. TITLE IN AND TO THIS DOCUMENT (NO MATTER IF IN PRINTED, ELECTRONIC, OR ANY OTHER FORM) AND ALL INFORMATION CONTAINED HEREIN REMAINS AT ALL TIMES IN NOCO. NO INTELLECTUAL PROPERTY RIGHTS ARE TRANSFERRED TO YOU BY ACCESS TO THIS DOCUMENT OR OTHERWISE.



# ENGINEERED FROM THE GROUND UP.

## ALL NEW ARCHITECTURE.



### HYPERDENSE TECHNOLOGY

Maximized Energy Density

### 99% POWER FACTOR CORRECTION

Maximized AC Power\*

### DYNAMIC BATTERY TRACKING

Understand Status Of Battery

### UNIVERSAL INPUT

100-240VAC

### HIGH EFFICIENCY DESIGN

Up to 87% Efficiency

\*Included on GENIUS10 only.



PROPRIETARY AND CONFIDENTIAL. COPYRIGHT © 2019 THE NOCO COMPANY

THIS DOCUMENT CONTAINS PROPRIETARY, CONFIDENTIAL, COPYRIGHTED, AND TRADE SECRET INFORMATION OF THE NOCO COMPANY AND ITS AFFILIATED COMPANIES ("NOCO"). ALL MATERIAL, INFORMATION, AND CONTENT ARE THE PROPERTY OF NOCO, AND NOCO RETAINS ALL RIGHT, TITLE, AND INTEREST THEREIN. THIS DOCUMENT MAY NOT BE COPIED, DISSEMINATED, DISCLOSED, PUBLISHED, DIVULGED, OR REPRODUCED, IN WHOLE OR IN PART, WITHOUT THE PRIOR WRITTEN CONSENT OF NOCO. TITLE IN AND TO THIS DOCUMENT (NO MATTER IF IN PRINTED, ELECTRONIC, OR ANY OTHER FORM) AND ALL INFORMATION CONTAINED HEREIN REMAINS AT ALL TIMES IN NOCO. NO INTELLECTUAL PROPERTY RIGHTS ARE TRANSFERRED TO YOU BY ACCESS TO THIS DOCUMENT OR OTHERWISE.



# CHARGE DEAD BATTERIES.

From partially drained batteries to completely dead batteries, we changed everything. An improved start-voltage sensor now detects dead batteries as low as **1-volt**. And an all-new force mode allows manual charging for extreme dead batteries - all the way down to **zero volts**.



PROPRIETARY AND CONFIDENTIAL. COPYRIGHT © 2019 THE NOCO COMPANY

THIS DOCUMENT CONTAINS PROPRIETARY, CONFIDENTIAL, COPYRIGHTED, AND TRADE SECRET INFORMATION OF THE NOCO COMPANY AND ITS AFFILIATED COMPANIES ("NOCO"). ALL MATERIAL, INFORMATION, AND CONTENT ARE THE PROPERTY OF NOCO, AND NOCO RETAINS ALL RIGHT, TITLE, AND INTEREST THEREIN. THIS DOCUMENT MAY NOT BE COPIED, DISSEMINATED, DISCLOSED, PUBLISHED, DIVULGED, OR REPRODUCED, IN WHOLE OR IN PART, WITHOUT THE PRIOR WRITTEN CONSENT OF NOCO. TITLE IN AND TO THIS DOCUMENT (NO MATTER IF IN PRINTED, ELECTRONIC, OR ANY OTHER FORM) AND ALL INFORMATION CONTAINED HEREIN REMAINS AT ALL TIMES IN NOCO. NO INTELLECTUAL PROPERTY RIGHTS ARE TRANSFERRED TO YOU BY ACCESS TO THIS DOCUMENT OR OTHERWISE.



# CHARGE DOWN TO ZERO VOLTS.

In **Force Mode**, the charger will run a 5-minute charge cycle to bring the battery back to life. The Charge LEDs will chase, and the selected mode will blink. After the 5 minute cycle, the charger will initiate standard charging.

To enter Force Mode, simply press and hold the mode button for ~5 seconds and all of the modes will blink. Then toggle through and select the correct one for the application.



# DO MORE WITH ONE CHARGER.

A multi-functional design that allows you to charge in more ways. Effortlessly charge multiple battery voltages and chemistries. Switch to Repair Mode to recovery old batteries or prime a new one. And use Supply Mode for ECU reprogramming, painting onboard computer systems during battery changing, or power 12-volt devices.

## MULTI-VOLTAGE

6-volt and 12-volt lead-acid batteries.

## CHEMISTRIES

Flooded, gel, maintenance-free and AGM batteries.

## TYPES

Starter, deep-cycle, marine, powersport and more.

## SUPPLY MODE

Reprogram ECUs, maintain power, or unequalize batteries.

## REPAIR MODE

Recover old and damaged batteries, plus prime new batteries.

## LITHIUM MODE

Lithium-ion batteries, including iron phosphate.





# SMART INDICATORS. ADVANCED DIAGNOSTICS.

Smart indicators quickly detect when the battery charger is connected in reverse polarity, connected to an incompatible battery, or if the battery is failing.

High Voltage

Battery Failure

Reverse Polarity

Standby



PROPRIETARY AND CONFIDENTIAL. COPYRIGHT © 2019 THE NOCO COMPANY

THIS DOCUMENT CONTAINS PROPRIETARY, CONFIDENTIAL, COPYRIGHTED, AND TRADE SECRET INFORMATION OF THE NOCO COMPANY AND ITS AFFILIATED COMPANIES ("NOCO"). ALL MATERIAL, INFORMATION, AND CONTENT ARE THE PROPERTY OF NOCO, AND NOCO RETAINS ALL RIGHT, TITLE, AND INTEREST THEREIN. THIS DOCUMENT MAY NOT BE COPIED, DISSEMINATED, DISCLOSED, PUBLISHED, DIVULGED, OR REPRODUCED, IN WHOLE OR IN PART, WITHOUT THE PRIOR WRITTEN CONSENT OF NOCO. TITLE IN AND TO THIS DOCUMENT (NO MATTER IF IN PRINTED, ELECTRONIC, OR ANY OTHER FORM) AND ALL INFORMATION CONTAINED HEREIN REMAINS AT ALL TIMES IN NOCO. NO INTELLECTUAL PROPERTY RIGHTS ARE TRANSFERRED TO YOU BY ACCESS TO THIS DOCUMENT OR OTHERWISE.

V10.07.19A



# SIMPLE TROUBLESHOOTING.

## ADVANCED DIAGNOSTICS.

### ERROR CONDITION

Battery Below Start Voltage



Reverse Polarity



Battery Will Not Hold Charge



Bulk Charge Timeout



Battery Above Protection Voltage



Charger Internal Temperature Too High



Charger Ambient Temperature Too Cold



 [ Indicates Flashing ]

High Voltage

Battery Failure

Reverse Polarity

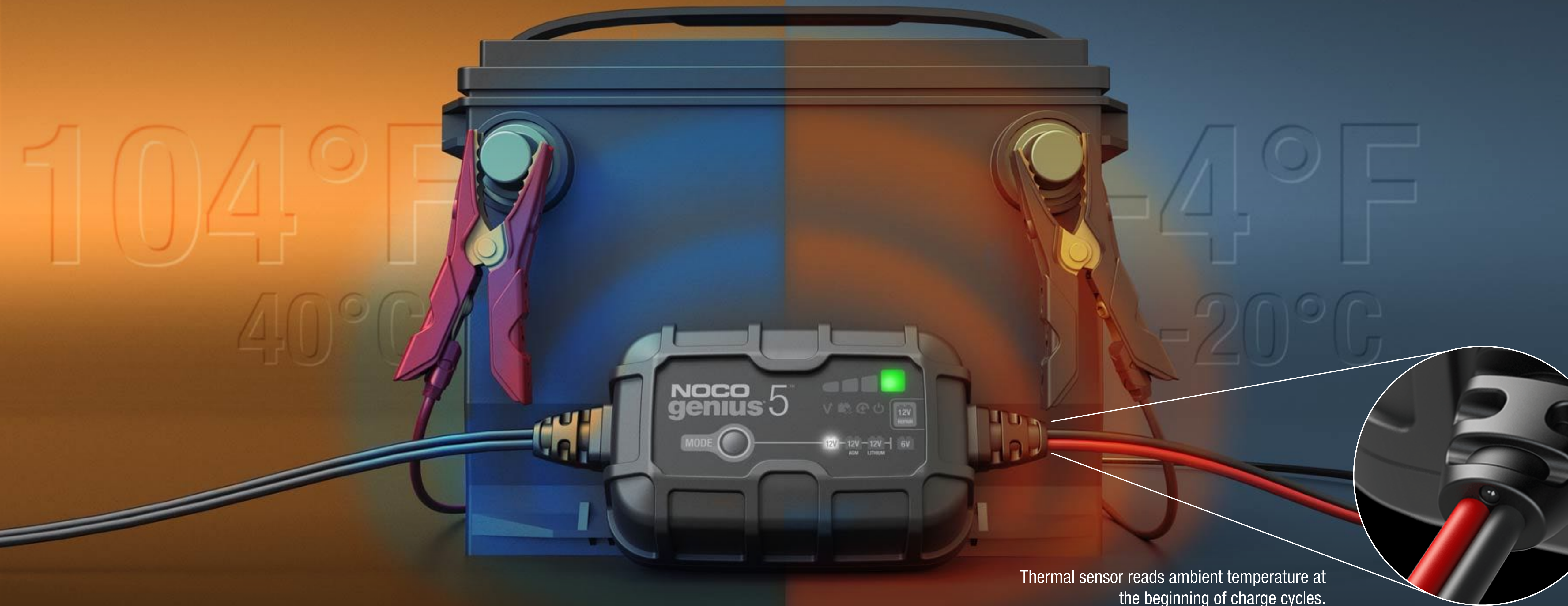
Standby





# THERMAL COMPENSATION. OPTIMIZED FOR ANY CLIMATE.

Elevates charging to a whole new level of performance by dynamically altering each charge based on the ambient temperature and providing a more accurate recharge.



Thermal sensor reads ambient temperature at the beginning of charge cycles.



PROPRIETARY AND CONFIDENTIAL. COPYRIGHT © 2019 THE NOCO COMPANY

THIS DOCUMENT CONTAINS PROPRIETARY, CONFIDENTIAL, COPYRIGHTED, AND TRADE SECRET INFORMATION OF THE NOCO COMPANY AND ITS AFFILIATED COMPANIES ("NOCO"). ALL MATERIAL, INFORMATION, AND CONTENT ARE THE PROPERTY OF NOCO, AND NOCO RETAINS ALL RIGHT, TITLE, AND INTEREST THEREIN. THIS DOCUMENT MAY NOT BE COPIED, DISSEMINATED, DISCLOSED, PUBLISHED, DIVULGED, OR REPRODUCED, IN WHOLE OR IN PART, WITHOUT THE PRIOR WRITTEN CONSENT OF NOCO. TITLE IN AND TO THIS DOCUMENT (NO MATTER IF IN PRINTED, ELECTRONIC, OR ANY OTHER FORM) AND ALL INFORMATION CONTAINED HEREIN REMAINS AT ALL TIMES IN NOCO. NO INTELLECTUAL PROPERTY RIGHTS ARE TRANSFERRED TO YOU BY ACCESS TO THIS DOCUMENT OR OTHERWISE.



# BRINGING BATTERIES BACK TO LIFE.



## AUTO DESULFATION

Built-in desulfation mode.

## AUTO DETECTION

Smart diagnostic indicators.

## AUTO REPAIR

Repair integrated within a 9-step charging profile.



PROPRIETARY AND CONFIDENTIAL. COPYRIGHT © 2019 THE NOCO COMPANY

THIS DOCUMENT CONTAINS PROPRIETARY, CONFIDENTIAL, COPYRIGHTED, AND TRADE SECRET INFORMATION OF THE NOCO COMPANY AND ITS AFFILIATED COMPANIES ("NOCO"). ALL MATERIAL, INFORMATION, AND CONTENT ARE THE PROPERTY OF NOCO, AND NOCO RETAINS ALL RIGHT, TITLE, AND INTEREST THEREIN. THIS DOCUMENT MAY NOT BE COPIED, DISSEMINATED, DISCLOSED, PUBLISHED, DIVULGED, OR REPRODUCED, IN WHOLE OR IN PART, WITHOUT THE PRIOR WRITTEN CONSENT OF NOCO. TITLE IN AND TO THIS DOCUMENT (NO MATTER IF IN PRINTED, ELECTRONIC, OR ANY OTHER FORM) AND ALL INFORMATION CONTAINED HEREIN REMAINS AT ALL TIMES IN NOCO. NO INTELLECTUAL PROPERTY RIGHTS ARE TRANSFERRED TO YOU BY ACCESS TO THIS DOCUMENT OR OTHERWISE.

V10.07.19A 10



# COMPLETELY AUTOMATIC.

Finally a charger from start to finish that's completely automatic. No special modes, no technical knowledge required. Genius will safely charge any battery. Detect damaged batteries and intuitively repair them. And actively monitor for long-term battery maintenance and extend battery life.



## YEAR-ROUND CHARGING

Provides all-season, all-weather charging for a healthy battery.

## ZERO OVERCHARGE

Leave plugged in 24/7 with no worries of overcharging.

## AUTO MEMORY

Automatically returns to its last selected mode.



# MOUNTING OPTIONS. CUSTOM FOR EACH CHARGER.

Mount your charger in your garage, on a workbench, or in a convenient location so that you can connect quickly and as often as needed to extend the life of your battery.



\*Included on GENIUS2, GENIUS5, and GENIUS10.

**NOCO**

PROPRIETARY AND CONFIDENTIAL. COPYRIGHT © 2019 THE NOCO COMPANY

THIS DOCUMENT CONTAINS PROPRIETARY, CONFIDENTIAL, COPYRIGHTED, AND TRADE SECRET INFORMATION OF THE NOCO COMPANY AND ITS AFFILIATED COMPANIES ("NOCO"). ALL MATERIAL, INFORMATION, AND CONTENT ARE THE PROPERTY OF NOCO, AND NOCO RETAINS ALL RIGHT, TITLE, AND INTEREST THEREIN. THIS DOCUMENT MAY NOT BE COPIED, DISSEMINATED, DISCLOSED, PUBLISHED, DIVULGED, OR REPRODUCED, IN WHOLE OR IN PART, WITHOUT THE PRIOR WRITTEN CONSENT OF NOCO. TITLE IN AND TO THIS DOCUMENT (NO MATTER IF IN PRINTED, ELECTRONIC, OR ANY OTHER FORM) AND ALL INFORMATION CONTAINED HEREIN REMAINS AT ALL TIMES IN NOCO. NO INTELLECTUAL PROPERTY RIGHTS ARE TRANSFERRED TO YOU BY ACCESS TO THIS DOCUMENT OR OTHERWISE.

V10.07.19A 12



# MORE WAYS TO CHARGE. INTERCHANGEABLE ACCESSORIES.



PROPRIETARY AND CONFIDENTIAL. COPYRIGHT © 2019 THE NOCO COMPANY

THIS DOCUMENT CONTAINS PROPRIETARY, CONFIDENTIAL, COPYRIGHTED, AND TRADE SECRET INFORMATION OF THE NOCO COMPANY AND ITS AFFILIATED COMPANIES ("NOCO"). ALL MATERIAL, INFORMATION, AND CONTENT ARE THE PROPERTY OF NOCO, AND NOCO RETAINS ALL RIGHT, TITLE, AND INTEREST THEREIN. THIS DOCUMENT MAY NOT BE COPIED, DISSEMINATED, DISCLOSED, PUBLISHED, DIVULGED, OR REPRODUCED, IN WHOLE OR IN PART, WITHOUT THE PRIOR WRITTEN CONSENT OF NOCO. TITLE IN AND TO THIS DOCUMENT (NO MATTER IF IN PRINTED, ELECTRONIC, OR ANY OTHER FORM) AND ALL INFORMATION CONTAINED HEREIN REMAINS AT ALL TIMES IN NOCO. NO INTELLECTUAL PROPERTY RIGHTS ARE TRANSFERRED TO YOU BY ACCESS TO THIS DOCUMENT OR OTHERWISE.

V10.07.19A 13



# REDESIGNED CLAMPS.

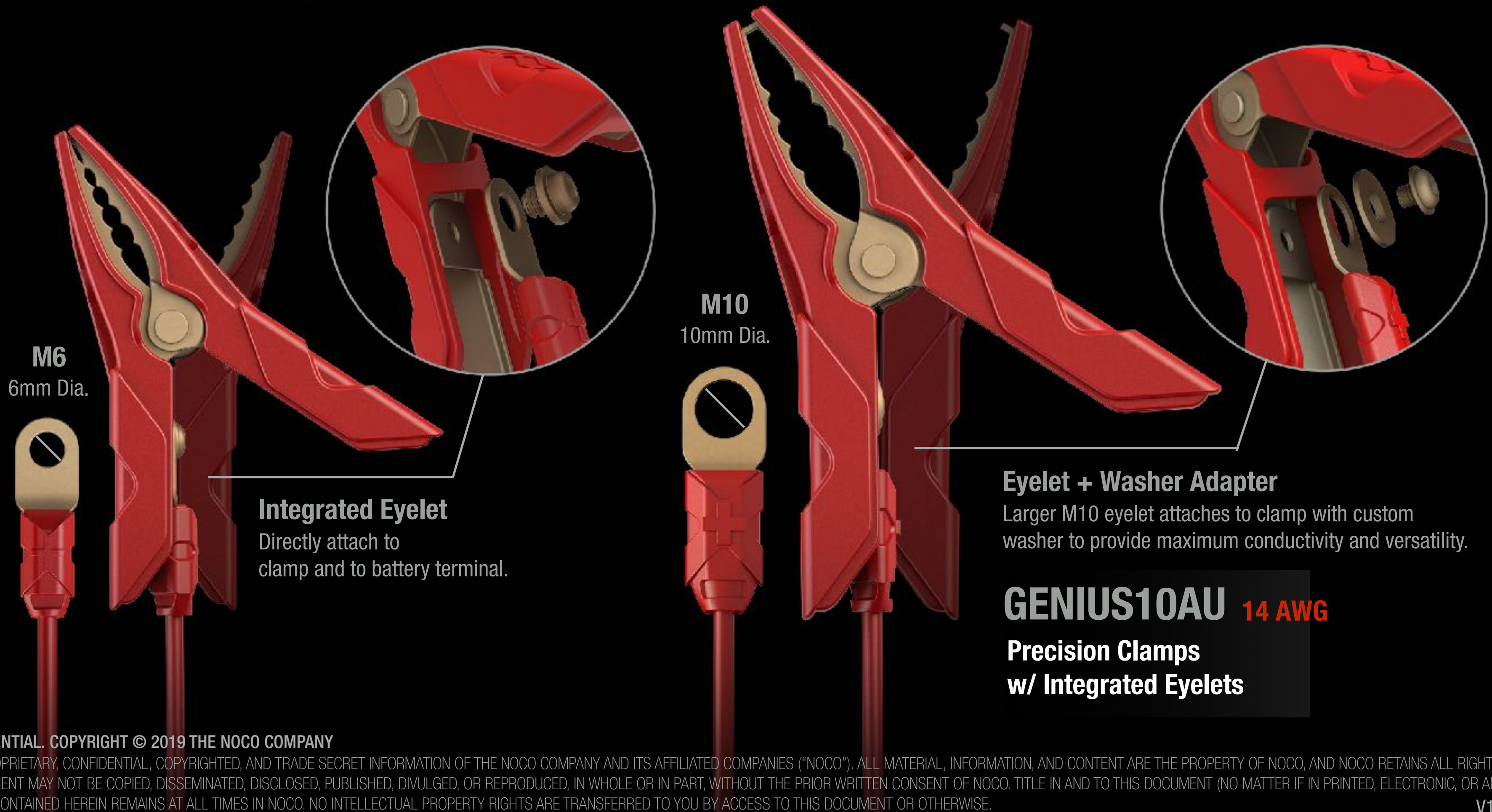
## MAXIMUM VERSATILITY. MORE POWER.

Genius clamps are built with needle-nose profiles for smaller terminal applications and detachable integrated eyelets for permanent mounting the accessory to battery.

**GENIUS1AU** 18 AWG  
Micro Clamps  
w/ Integrated Eyelets

**GENIUS2AU** 18 AWG  
Micro Clamps  
w/ Integrated Eyelets

**GENIUS5AU** 16 AWG  
Micro Clamps  
w/ Integrated Eyelets



M6  
6mm Dia.

M10  
10mm Dia.

**Integrated Eyelet**  
Directly attach to  
clamp and to battery terminal.

**Eyelet + Washer Adapter**  
Larger M10 eyelet attaches to clamp with custom  
washer to provide maximum conductivity and versatility.

**GENIUS10AU** 14 AWG  
Precision Clamps  
w/ Integrated Eyelets



# WIDE CLAMPING RANGE. PRECISE CONNECTIONS.

Designed to fit battery terminals of any shape and size. Engineered for improved clamping range, clamping force, and higher conductivity.



**GENIUS1AU 18 AWG**  
Micro Clamps  
w/ Integrated Eyelets

**GENIUS2AU 18 AWG**  
Micro Clamps  
w/ Integrated Eyelets

**GENIUS5AU 16 AWG**  
Micro Clamps  
w/ Integrated Eyelets



**GENIUS10AU 14 AWG**  
Precision Clamps  
w/ Integrated Eyelets



# GLOBAL SAFETY.



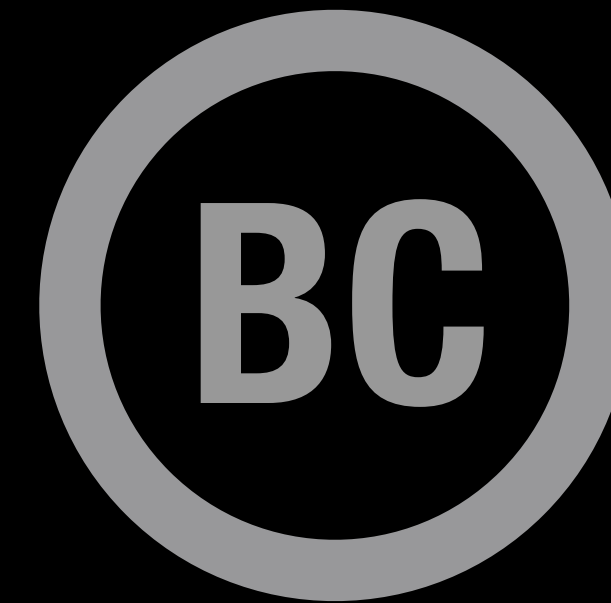
UL



IEC



CSA



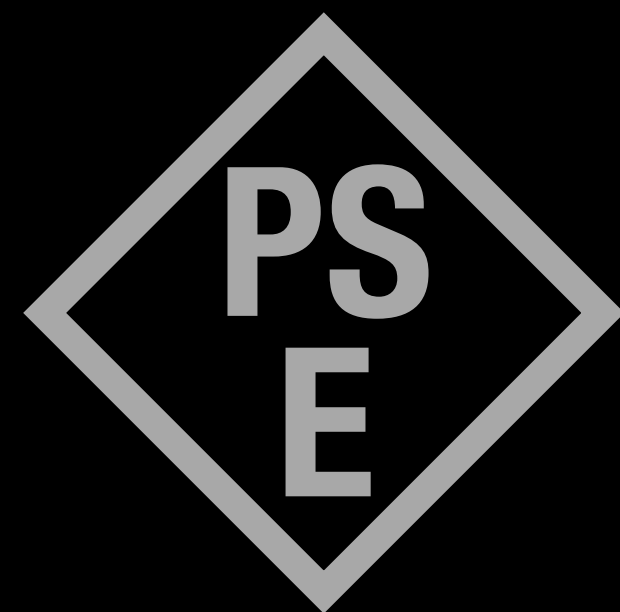
CEC



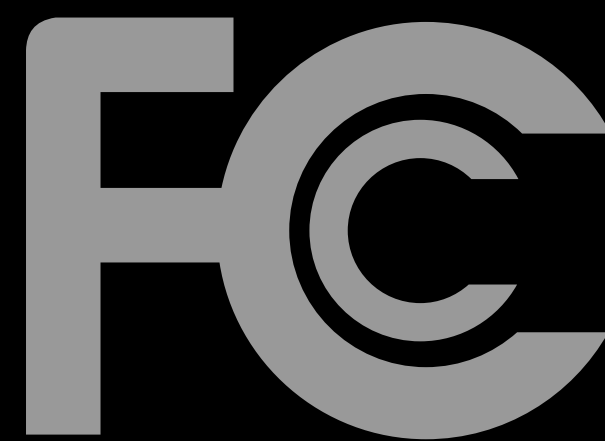
REACH



ROHS



PSE



FCC



CE



RCM



# NOCO genius®

## BATTERY CHARGERS AND MAINTAINERS.

GENIUS2AU



NOCO genius 1™

GENIUS2AU



NOCO genius 2™

GENIUS5AU



NOCO genius 5™

GENIUS10AU



NOCO genius 10™



# NOCO genius<sup>1</sup>™ CHARGER & MAINTAINER



## GENIUS1AU

**1A** CHARGING CURRENT

**6V & 12V**

**15W** OUTPUT POWER

**30Ah** BATTERY CAPACITY

GENIUS CHARGERS

ACCESSORIES

OVERVIEW

TECH SPECS

COMPARE



### What's In The Box

- Genius 1 Battery Charger w/ Interchangeable Connector
- Clamps w/ Integrated Eyelets
- User Guide & Warranty Information

### Inner Carton:

Dimensions: 6.97" x 3.70" x 4.25"  
Weight: 1.08lbs

### Master Carton:

Dimensions: 14.65" x 11.81" x 4.96"  
Weight: 7.22lbs  
Quantity: 6  
UCC: 10046221190028

### Retail Packaging

Dimensions: 3.43" x 4.02" x 6.73"  
Weight: 0.95lbs  
UPC: 0-46221-19002-1

### Units Per Pallet:

378 Units

**NOCO**

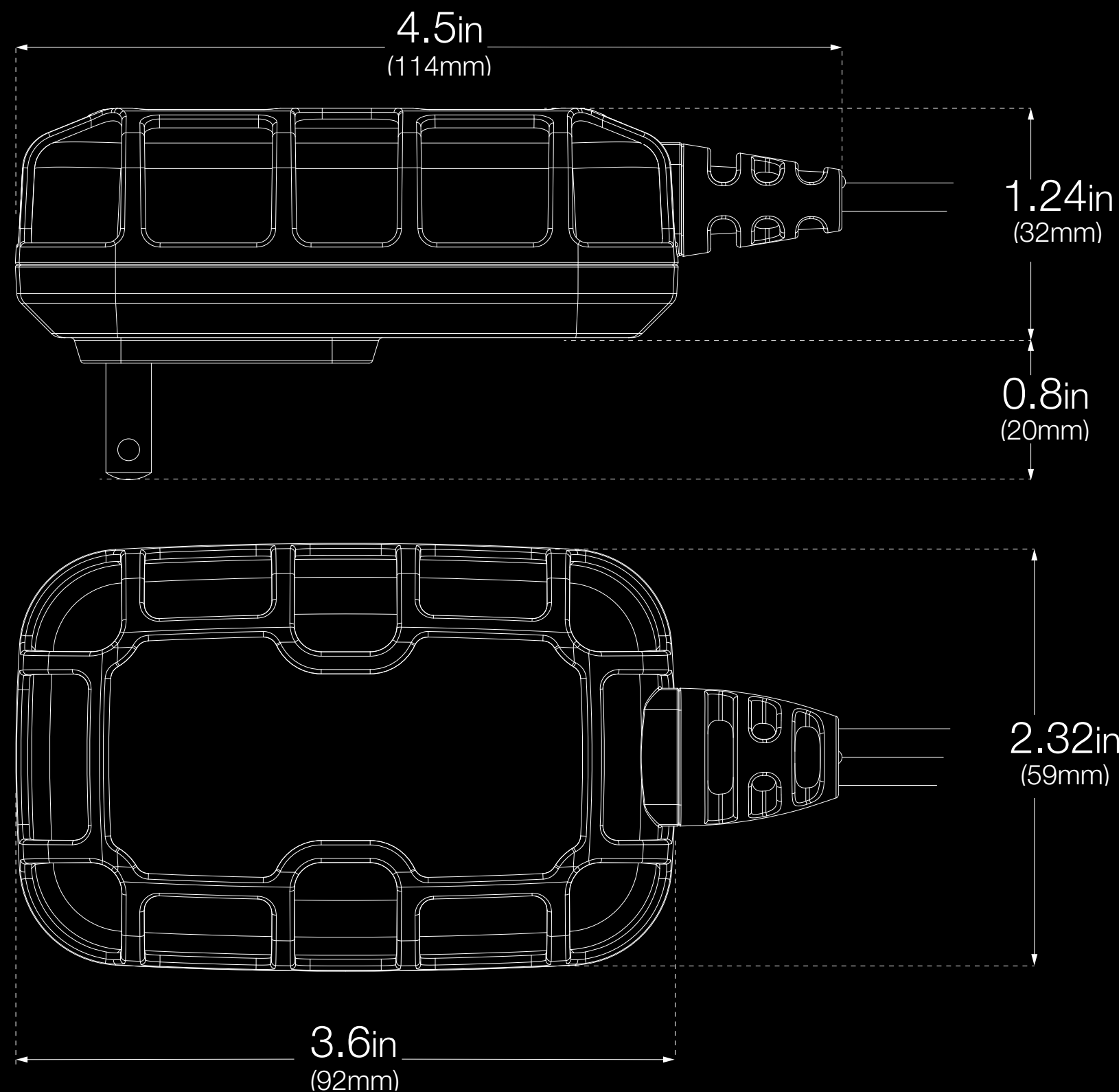
PROPRIETARY AND CONFIDENTIAL. COPYRIGHT © 2019 THE NOCO COMPANY

THIS DOCUMENT CONTAINS PROPRIETARY, CONFIDENTIAL, COPYRIGHTED, AND TRADE SECRET INFORMATION OF THE NOCO COMPANY AND ITS AFFILIATED COMPANIES ("NOCO"). ALL MATERIAL, INFORMATION, AND CONTENT ARE THE PROPERTY OF NOCO, AND NOCO RETAINS ALL RIGHT, TITLE, AND INTEREST THEREIN. THIS DOCUMENT MAY NOT BE COPIED, DISSEMINATED, DISCLOSED, PUBLISHED, DIVULGED, OR REPRODUCED, IN WHOLE OR IN PART, WITHOUT THE PRIOR WRITTEN CONSENT OF NOCO. TITLE IN AND TO THIS DOCUMENT (NO MATTER IF IN PRINTED, ELECTRONIC, OR ANY OTHER FORM) AND ALL INFORMATION CONTAINED HEREIN REMAINS AT ALL TIMES IN NOCO. NO INTELLECTUAL PROPERTY RIGHTS ARE TRANSFERRED TO YOU BY ACCESS TO THIS DOCUMENT OR OTHERWISE.

V10.07.19A 18



# GENIUS1AU



### Operating Requirements

**Line Voltage AC:** 120V to 240V AC, 50-60Hz  
**Operating Temperature:** -4° to 104° F (-20° to +40° C)  
**Storage Temperature:** -22° to 140° F (-30° to +60° C)  
**Relative Humidity:** 0 to 95% Non-Condensing

### Charging

**Current:** 1 Amp DC  
**Voltages:** 6V, 12V  
**Chemistry:** Lead-Acid and Lithium  
**Types:** Wet, Gel, MF, CA, EFB, AGM, Lithium  
**Battery Capacity Range:** 1.2 Ah - 30 Ah  
**Maintenance:** All Battery Sizes

### Power

**Output Power:** 15 Watts (Max)  
**Efficiency:** 85% (120VAC) / 83% (230VAC)

### Protection

**IP Rating:** IP60

### Safety

**Short Circuit:** Yes  
**Open-Circuit:** Yes  
**Overheating:** Yes  
**Overcharge:** Yes  
**Spark-Proof:** Yes  
**Reverse Polarity:** Yes

### Size and Weight

**Height:** 3.5 Inches (89mm)  
**Width:** 2.3 Inches (58mm)  
**Depth:** 1.3 Inches (33mm)  
**Weight:** 0.77 Pounds (0.35kg)

### Cord Management

**DC Cable Length:** 107 Inches (272cm)  
**DC Cable Size:** 18 AWG  
**DC Fuse Size:** 2 AMP Micro Blade Fuse  
**AC Cable Length:** None  
**AC Cable Size:** None  
 Oil, gas, grease, water, chemical, UV, abrasion resistant

### Limited Warranty

3-Year Limited Warranty

### Charging Times

Battery Size	Approx. Charge Time in Hours	
	6V	12V
8Ah	6	6
12Ah	9	9
18Ah	13.5	13.5
24Ah	18	18
30Ah	22.5	22.5



# NOCO genius<sup>®</sup> 1™ CHARGER COMPARISON

## GENIUS1AU



**25%**  
MORE POWER

**20%**  
SMALLER SIZE

**LITHIUM**  
CHARGE MODE

**SMART**  
INDICATORS



# NOCO genius<sup>®</sup> 2™ CHARGER & MAINTAINER



## GENIUS2AU

**2A** CHARGING CURRENT

**6V & 12V**

**30W** OUTPUT POWER

**40Ah** BATTERY CAPACITY

GENIUS CHARGERS

ACCESSORIES

OVERVIEW

TECH SPECS

COMPARE



### What's In The Box

- Genius 2 Battery Charger w/ Interchangeable Connector
- Clamps w/ Integrated Eyelets
- Mounting Bracket w/ Strap
- (2) Self-Tapping Screws
- User Guide & Warranty Information

### Retail Packaging

Dimensions: 3.43" x 4.25" x 6.97"  
Weight: 1.23lbs  
UPC: 0-46221-19003-8

### Inner Carton:

Dimensions: 3.70" x 4.49" x 7.20"  
Weight: 1.28lbs

### Master Carton:

Dimensions: 15.12" x 11.81" x 5.20"  
Weight: 8.44lbs  
Quantity: 6  
UCC: 10046221190035

### Units Per Pallet:

378 Units

**NOCO**<sup>®</sup>

PROPRIETARY AND CONFIDENTIAL. COPYRIGHT © 2019 THE NOCO COMPANY

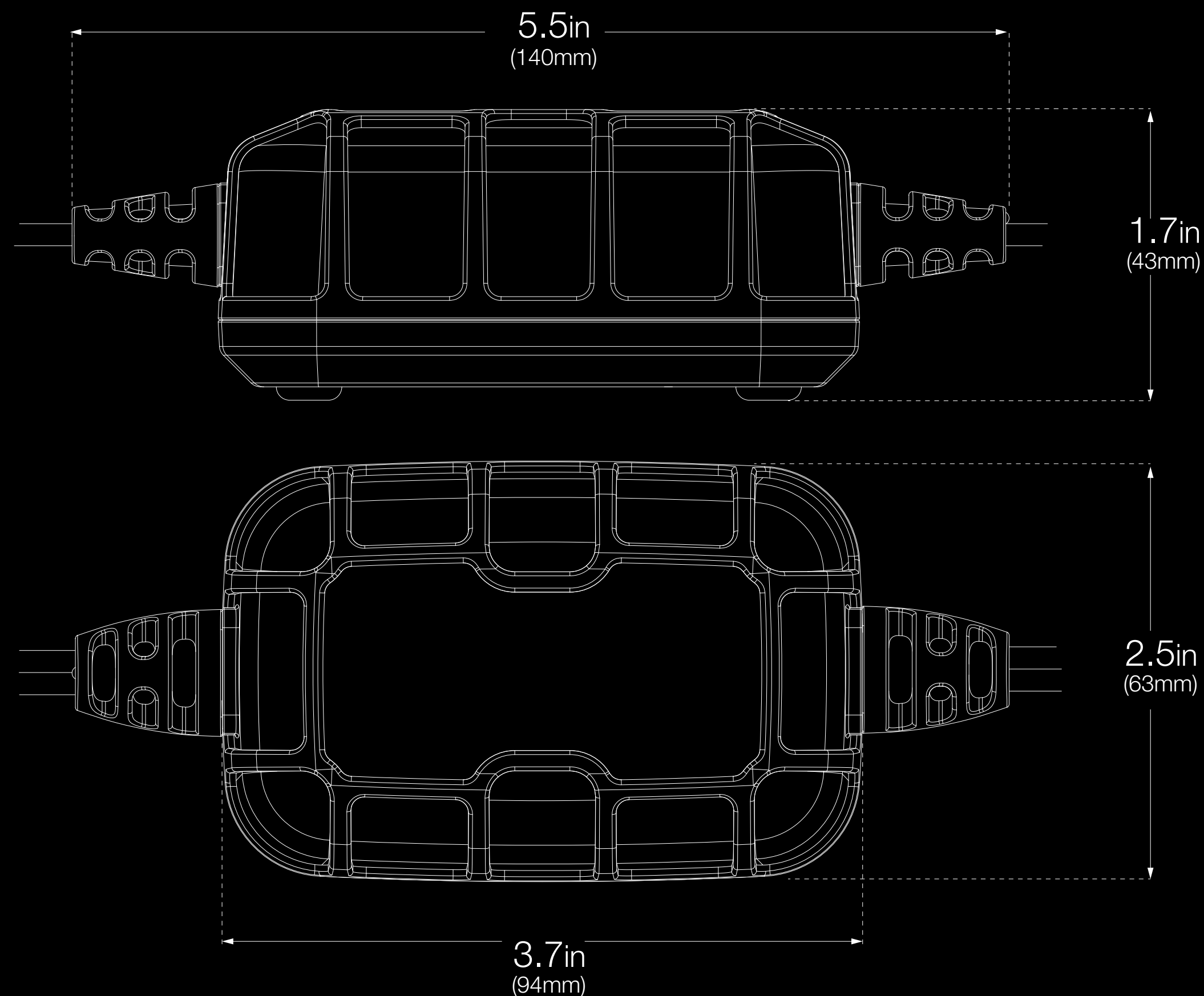
THIS DOCUMENT CONTAINS PROPRIETARY, CONFIDENTIAL, COPYRIGHTED, AND TRADE SECRET INFORMATION OF THE NOCO COMPANY AND ITS AFFILIATED COMPANIES ("NOCO"). ALL MATERIAL, INFORMATION, AND CONTENT ARE THE PROPERTY OF NOCO, AND NOCO RETAINS ALL RIGHT, TITLE, AND INTEREST THEREIN. THIS DOCUMENT MAY NOT BE COPIED, DISSEMINATED, DISCLOSED, PUBLISHED, DIVULGED, OR REPRODUCED, IN WHOLE OR IN PART, WITHOUT THE PRIOR WRITTEN CONSENT OF NOCO. TITLE IN AND TO THIS DOCUMENT (NO MATTER IF IN PRINTED, ELECTRONIC, OR ANY OTHER FORM) AND ALL INFORMATION CONTAINED HEREIN REMAINS AT ALL TIMES IN NOCO. NO INTELLECTUAL PROPERTY RIGHTS ARE TRANSFERRED TO YOU BY ACCESS TO THIS DOCUMENT OR OTHERWISE.

V10.07.19A 21



# NOCO genius<sup>®</sup> 2™ TECH SPECS

## GENIUS2AU



### Operating Requirements

**Line Voltage AC:** 120V to 240V AC, 50-60Hz  
**Operating Temperature:** -4° to 104° F (-20° to +40° C)  
**Storage Temperature:** -22° to 140° F (-30° to +60° C)  
**Relative Humidity:** 0 to 95% Non-Condensing

### Charging

**Current:** 2 Amp DC  
**Voltages:** 6V, 12V  
**Chemistry:** Lead-Acid and Lithium  
**Types:** Wet, Gel, MF, CA, EFB, AGM, Lithium  
**Battery Capacity Range:** 1.2 Ah - 40 Ah  
**Maintenance:** All Battery Sizes

### Power

**Output Power:** 30 Watts (Max)  
**Efficiency:** 87% (120VAC / 230VAC)

### Protection

**IP Rating:** IP65

### Safety

**Short Circuit:** Yes  
**Open-Circuit:** Yes  
**Overheating:** Yes  
**Overcharge:** Yes  
**Spark-Proof:** Yes  
**Reverse Polarity:** Yes

### Size and Weight

**Height:** 3.7 Inches (94mm)  
**Width:** 2.4 Inches (61mm)  
**Depth:** 1.7 Inches (43mm)  
**Weight:** 1.1 Pounds (0.5kg)

### Cord Management

**DC Cable Length:** 77.6 Inches (197cm)  
**DC Cable Size:** 18 AWG  
**DC Fuse Size:** 4 AMP Micro Blade Fuse  
**AC Cable Length:** 71.7 Inches (182cm)  
**AC Cable Size:** 18 AWG  
 Oil, gas, grease, water, chemical, UV, abrasion resistant

### Limited Warranty

3-Year Limited Warranty

### Charging Times

Battery Size	Approx. Charge Time in Hours	
	6V	12V
8Ah	3	3
12Ah	4.5	4.5
18Ah	6.75	6.75
24Ah	9	9
40Ah	15	15



# NOCO genius<sup>2</sup>™ CHARGER COMPARISON

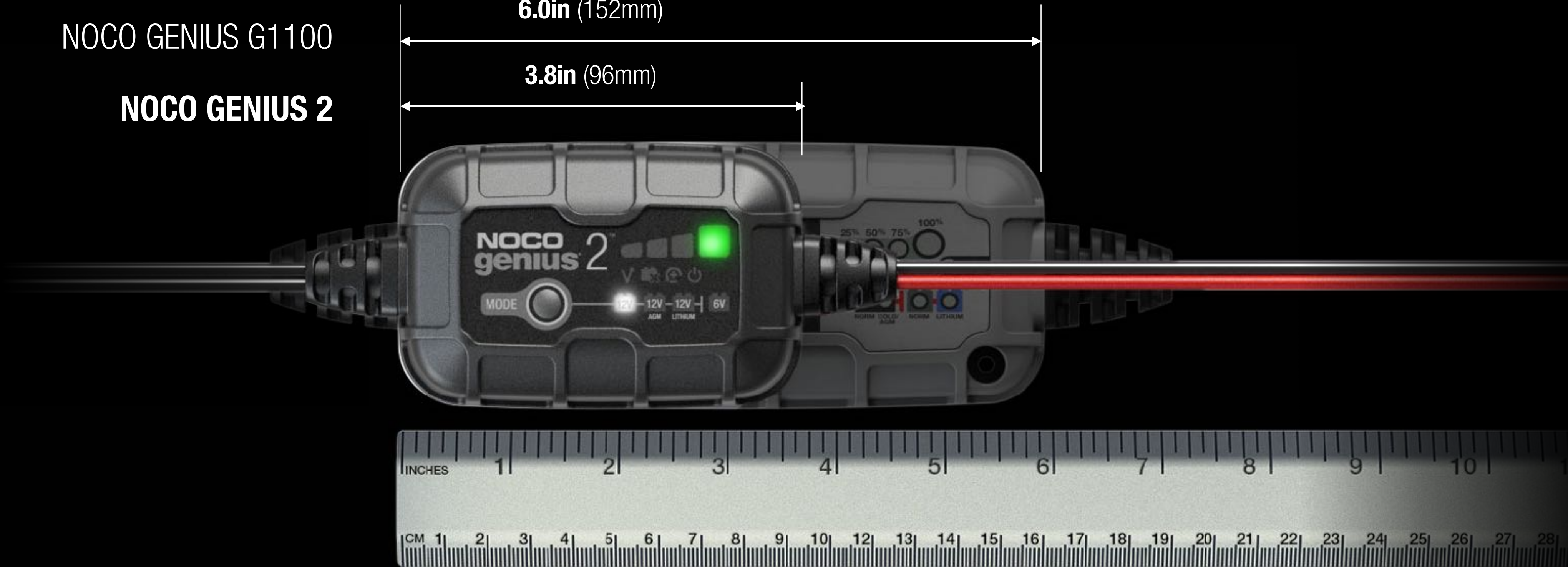
## GENIUS2AU

NOCO GENIUS G1100

NOCO GENIUS 2

6.0in (152mm)

3.8in (96mm)



**45%**  
MORE POWER

**37%**  
SMALLER SIZE

**LITHIUM**  
CHARGE MODE

**SMART**  
INDICATORS



PROPRIETARY AND CONFIDENTIAL. COPYRIGHT © 2019 THE NOCO COMPANY

THIS DOCUMENT CONTAINS PROPRIETARY, CONFIDENTIAL, COPYRIGHTED, AND TRADE SECRET INFORMATION OF THE NOCO COMPANY AND ITS AFFILIATED COMPANIES ("NOCO"). ALL MATERIAL, INFORMATION, AND CONTENT ARE THE PROPERTY OF NOCO, AND NOCO RETAINS ALL RIGHT, TITLE, AND INTEREST THEREIN. THIS DOCUMENT MAY NOT BE COPIED, DISSEMINATED, DISCLOSED, PUBLISHED, DIVULGED, OR REPRODUCED, IN WHOLE OR IN PART, WITHOUT THE PRIOR WRITTEN CONSENT OF NOCO. TITLE IN AND TO THIS DOCUMENT (NO MATTER IF IN PRINTED, ELECTRONIC, OR ANY OTHER FORM) AND ALL INFORMATION CONTAINED HEREIN REMAINS AT ALL TIMES IN NOCO. NO INTELLECTUAL PROPERTY RIGHTS ARE TRANSFERRED TO YOU BY ACCESS TO THIS DOCUMENT OR OTHERWISE.



# NOCO genius<sup>®</sup> 5<sup>™</sup> CHARGER & MAINTAINER



## GENIUS5AU

**5A** CHARGING CURRENT

**6V & 12V**

**75W** OUTPUT POWER

**120Ah** BATTERY CAPACITY

GENIUS CHARGERS

ACCESSORIES

OVERVIEW

TECH SPECS

COMPARE



### What's In The Box

- Genius 5 Battery Charger w/ Interchangeable Connector
- Clamps w/ Integrated Eyelets
- Mounting Bracket w/ Strap
- (2) Self-Tapping Screws
- User Guide & Warranty Information

### Retail Packaging

Dimensions: 4.61" x 3.43" x 7.95"  
Weight: 1.59  
UPC: 0-46221-19004-5

### Inner Carton:

Dimensions: 4.84" x 3.70" x 8.19"  
Weight: 1.75lbs

### Master Carton:

Dimensions: 17.10" x 11.97" x 5.51"  
Weight: 11.31lbs  
Quantity: 6  
UCC: 10046221190042

### Units Per Pallet:

252 Units

**NOCO**<sup>®</sup>

PROPRIETARY AND CONFIDENTIAL. COPYRIGHT © 2019 THE NOCO COMPANY

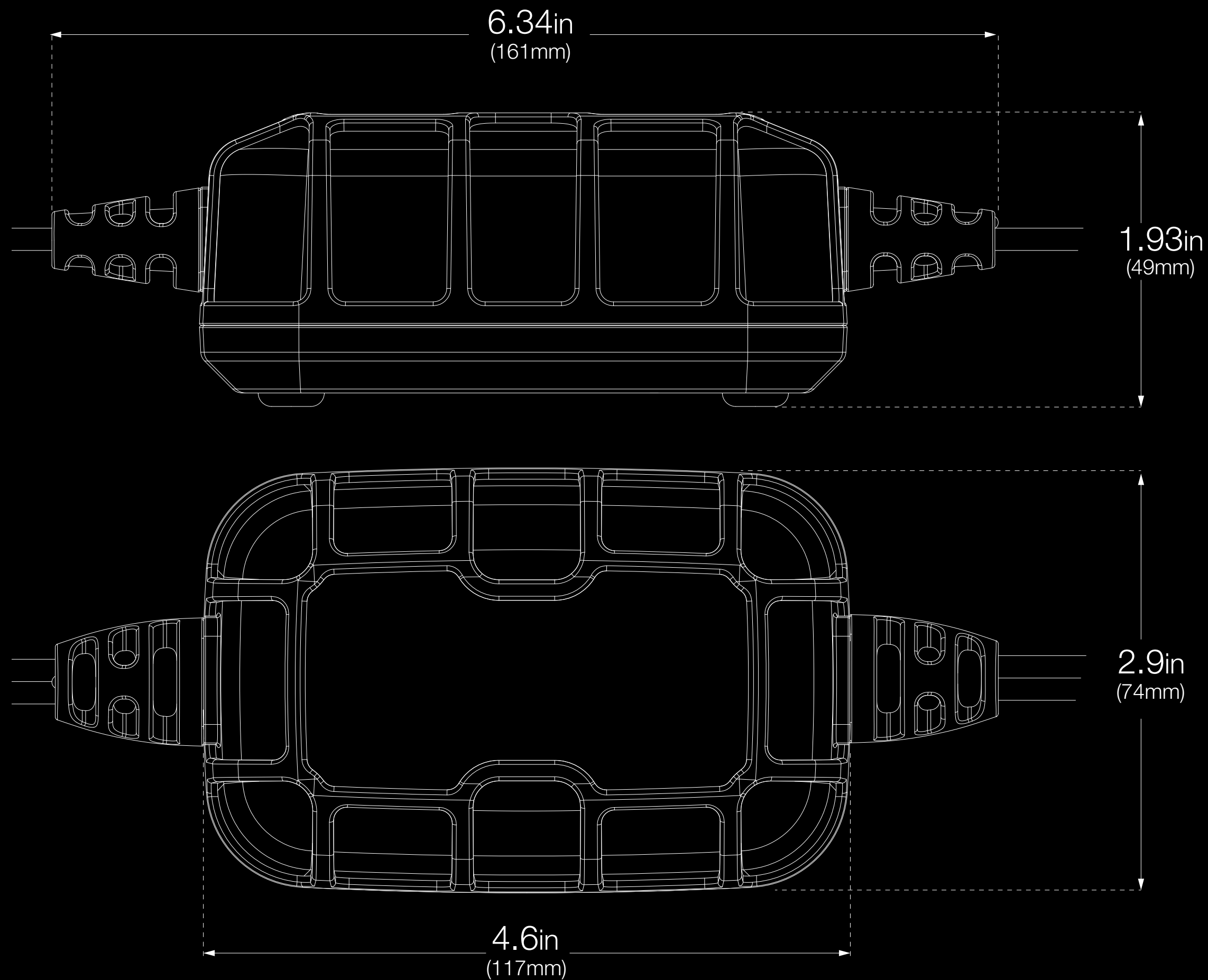
THIS DOCUMENT CONTAINS PROPRIETARY, CONFIDENTIAL, COPYRIGHTED, AND TRADE SECRET INFORMATION OF THE NOCO COMPANY AND ITS AFFILIATED COMPANIES ("NOCO"). ALL MATERIAL, INFORMATION, AND CONTENT ARE THE PROPERTY OF NOCO, AND NOCO RETAINS ALL RIGHT, TITLE, AND INTEREST THEREIN. THIS DOCUMENT MAY NOT BE COPIED, DISSEMINATED, DISCLOSED, PUBLISHED, DIVULGED, OR REPRODUCED, IN WHOLE OR IN PART, WITHOUT THE PRIOR WRITTEN CONSENT OF NOCO. TITLE IN AND TO THIS DOCUMENT (NO MATTER IF IN PRINTED, ELECTRONIC, OR ANY OTHER FORM) AND ALL INFORMATION CONTAINED HEREIN REMAINS AT ALL TIMES IN NOCO. NO INTELLECTUAL PROPERTY RIGHTS ARE TRANSFERRED TO YOU BY ACCESS TO THIS DOCUMENT OR OTHERWISE.

V10.07.19A 24



# NOCO genius<sup>®</sup> 5<sup>™</sup> TECH SPECS

## GENIUS5AU



### Operating Requirements

**Line Voltage AC:** 120V to 240V AC, 50-60Hz  
**Operating Temperature:** -4° to 104° F (-20° to +40° C)  
**Storage Temperature:** -22° to 140° F (-30° to +60° C)  
**Relative Humidity:** 0 to 95% Non-Condensing

### Charging

**Current:** 5 Amp DC  
**Voltages:** 6V, 12V  
**Chemistry:** Lead-Acid and Lithium  
**Types:** Wet, Gel, MF, CA, EFB, AGM, Lithium  
**Battery Capacity Range:** 2 Ah - 120 Ah  
**Maintenance:** All Battery Sizes

### Power

**Output Power:** 75 Watts (Max)  
**Efficiency:** 86% (120VAC / 230VAC)

### Protection

**IP Rating:** IP65

### Safety

**Short Circuit:** Yes  
**Open-Circuit:** Yes  
**Overheating:** Yes  
**Overcharge:** Yes  
**Spark-Proof:** Yes  
**Reverse Polarity:** Yes

### Size and Weight

**Height:** 4.6 Inches (117mm)  
**Width:** 2.9 Inches (74mm)  
**Depth:** 1.9 Inches (48mm)  
**Weight:** 1.5 Pounds (0.68kg)

### Cord Management

**DC Cable Length:** 77.6 Inches (197cm)  
**DC Cable Size:** 16 AWG  
**DC Fuse Size:** 10 AMP Micro Blade Fuse  
**AC Cable Length:** 71.7 Inches (182cm)  
**AC Cable Size:** 18 AWG  
 Oil, gas, grease, water, chemical, UV, abrasion resistant

### Limited Warranty

3-Year Limited Warranty

### Charging Times

Battery Size	Approx. Charge Time in Hours	
	6V	12V
20Ah	3	3
40Ah	6	6
80Ah	12	12
100Ah	15	15
120Ah	18	18



# NOCO genius<sup>®</sup> 5<sup>™</sup> CHARGER COMPARISON

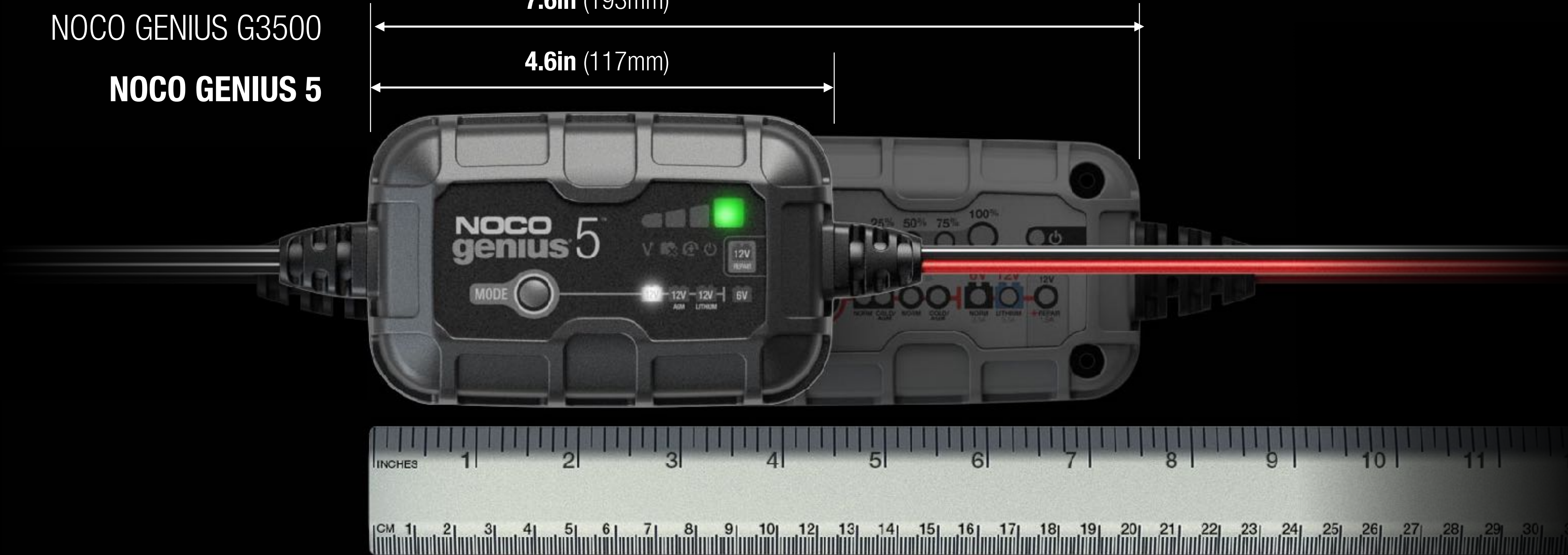
## GENIUS5AU

NOCO GENIUS G3500

**NOCO GENIUS 5**

7.6in (193mm)

4.6in (117mm)



**30%**  
MORE POWER

**40%**  
SMALLER SIZE

**REPAIR**  
CHARGE MODE

**SMART**  
INDICATORS



PROPRIETARY AND CONFIDENTIAL. COPYRIGHT © 2019 THE NOCO COMPANY

THIS DOCUMENT CONTAINS PROPRIETARY, CONFIDENTIAL, COPYRIGHTED, AND TRADE SECRET INFORMATION OF THE NOCO COMPANY AND ITS AFFILIATED COMPANIES ("NOCO"). ALL MATERIAL, INFORMATION, AND CONTENT ARE THE PROPERTY OF NOCO, AND NOCO RETAINS ALL RIGHT, TITLE, AND INTEREST THEREIN. THIS DOCUMENT MAY NOT BE COPIED, DISSEMINATED, DISCLOSED, PUBLISHED, DIVULGED, OR REPRODUCED, IN WHOLE OR IN PART, WITHOUT THE PRIOR WRITTEN CONSENT OF NOCO. TITLE IN AND TO THIS DOCUMENT (NO MATTER IF IN PRINTED, ELECTRONIC, OR ANY OTHER FORM) AND ALL INFORMATION CONTAINED HEREIN REMAINS AT ALL TIMES IN NOCO. NO INTELLECTUAL PROPERTY RIGHTS ARE TRANSFERRED TO YOU BY ACCESS TO THIS DOCUMENT OR OTHERWISE.



# NOCO genius<sup>®</sup> 10™ CHARGER & MAINTAINER

## GENIUS10AU

**10A** CHARGING CURRENT

**6V & 12V**

**150W** OUTPUT POWER

**230Ah** BATTERY CAPACITY



GENIUS CHARGERS

ACCESSORIES

OVERVIEW

TECH SPECS

COMPARE



### What's In The Box

- Genius 10 Battery Charger w/ Interchangeable Connector
- Clamps w/ Integrated Eyelets
- Mounting Bracket w/ Strap
- (2) Self-Tapping Screws
- User Guide & Warranty Information

### Retail Packaging

Dimensions: 4.41" x 4.76" x 9.10"  
Weight: 3.99lbs  
UPC: 0-46221-19005-2

### Inner Carton:

Dimensions: 4.60" x 4.76" x 9.21"  
Weight: 4.17lbs

### Master Carton:

Dimensions: 19.02" x 9.84" x 5.71"  
Weight: 17.42lbs  
Quantity: 4  
UCC: 10046221190059

### Units Per Pallet:

224 Units

**NOCO**<sup>®</sup>

PROPRIETARY AND CONFIDENTIAL. COPYRIGHT © 2019 THE NOCO COMPANY

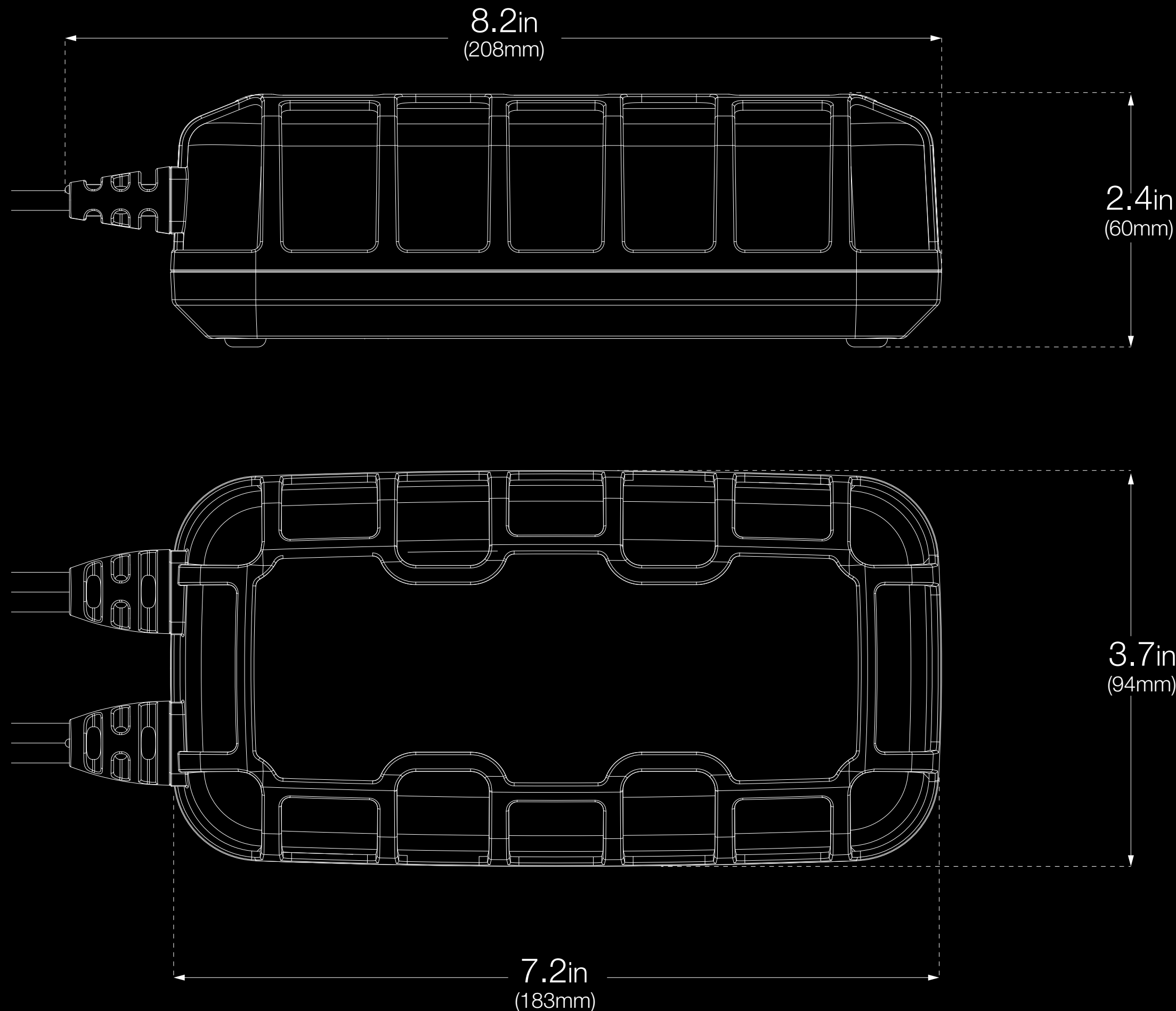
THIS DOCUMENT CONTAINS PROPRIETARY, CONFIDENTIAL, COPYRIGHTED, AND TRADE SECRET INFORMATION OF THE NOCO COMPANY AND ITS AFFILIATED COMPANIES ("NOCO"). ALL MATERIAL, INFORMATION, AND CONTENT ARE THE PROPERTY OF NOCO, AND NOCO RETAINS ALL RIGHT, TITLE, AND INTEREST THEREIN. THIS DOCUMENT MAY NOT BE COPIED, DISSEMINATED, DISCLOSED, PUBLISHED, DIVULGED, OR REPRODUCED, IN WHOLE OR IN PART, WITHOUT THE PRIOR WRITTEN CONSENT OF NOCO. TITLE IN AND TO THIS DOCUMENT (NO MATTER IF IN PRINTED, ELECTRONIC, OR ANY OTHER FORM) AND ALL INFORMATION CONTAINED HEREIN REMAINS AT ALL TIMES IN NOCO. NO INTELLECTUAL PROPERTY RIGHTS ARE TRANSFERRED TO YOU BY ACCESS TO THIS DOCUMENT OR OTHERWISE.

V10.07.19A 27



# NOCO genius<sup>®</sup> 10<sup>™</sup> TECH SPECS

## GENIUS10AU



### Operating Requirements

**Line Voltage AC:** 120V to 240V AC, 50-60Hz  
**Operating Temperature:** -4° to 104° F (-20° to +40° C)  
**Storage Temperature:** -22° to 140° F (-30° to +60° C)  
**Relative Humidity:** 0 to 95% Non-Condensing

### Charging

**Current:** 10 Amp DC  
**Voltages:** 6V, 12V  
**Chemistry:** Lead-Acid and Lithium  
**Types:** Wet, Gel, MF, CA, EFB, AGM, Lithium  
**Battery Capacity Range:** 2 Ah - 230 Ah  
**Maintenance:** All Battery Sizes

### Power

**Output Power:** 150 Watts (Max)  
**Efficiency:** 87% (120VAC / 230VAC)

### Protection

**IP Rating:** IP65

### Safety

**Short Circuit:** Yes  
**Open-Circuit:** Yes  
**Overheating:** Yes  
**Overcharge:** Yes  
**Spark-Proof:** Yes  
**Reverse Polarity:** Yes

### Size and Weight

**Height:** 7.1 Inches (180mm)  
**Width:** 3.6 Inches (92mm)  
**Depth:** 2.3 Inches (59mm)  
**Weight:** 3.33 Pounds (1.5kg)

### Cord Management

**DC Cable Length:** 77.6 Inches (197cm)  
**DC Cable Size:** 14 AWG  
**DC Fuse Size:** 20 AMP Micro Blade Fuse  
**AC Cable Length:** 71.7 Inches (182cm)  
**AC Cable Size:** 18 AWG  
 Oil, gas, grease, water, chemical, UV, abrasion resistant

### Limited Warranty

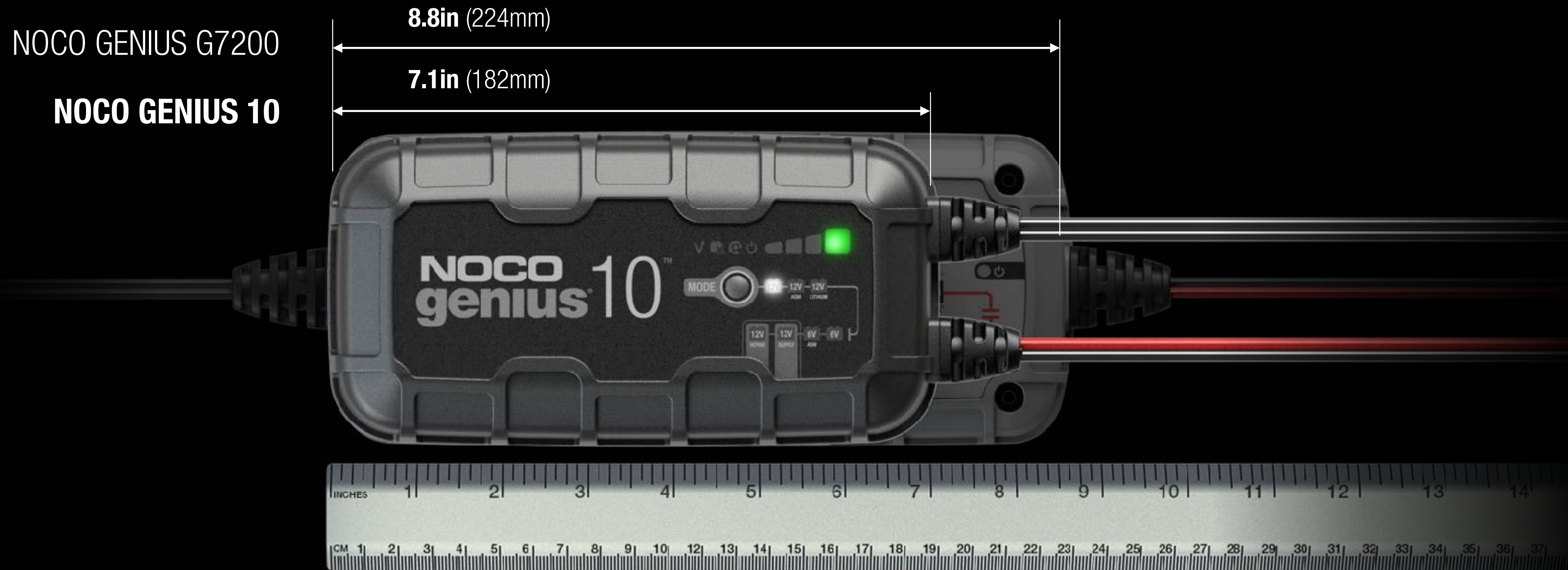
3-Year Limited Warranty

### Charging Times

Battery Size	Approx. Charge Time in Hours	
	6V	12V
20Ah	1.5	1.5
40Ah	3	3
80Ah	6	6
100Ah	7	7
230Ah	17.3	17.3



# NOCO genius<sup>®</sup> 10<sup>™</sup> CHARGER COMPARISON GENIUS10AU



**28%**  
MORE POWER

**20%**  
SMALLER SIZE

**REPAIR**  
CHARGE MODE

**SMART**  
INDICATORS



# genius<sup>®</sup> PRODUCT LINE OVERVIEW



	GENIUS1AU	GENIUS2AU	GENIUS5AU	GENIUS10AU
	<b>1A</b> CHARGING CURRENT	<b>2A</b> CHARGING CURRENT	<b>5A</b> CHARGING CURRENT	<b>10A</b> CHARGING CURRENT
	<b>30Ah</b> BATTERY CAPACITY	<b>40Ah</b> BATTERY CAPACITY	<b>120Ah</b> BATTERY CAPACITY	<b>230Ah</b> BATTERY CAPACITY
	<b>15W</b> OUTPUT POWER	<b>30W</b> OUTPUT POWER	<b>75W</b> OUTPUT POWER	<b>150W</b> OUTPUT POWER
	<b>6V</b> CHARGE MODE	<b>6V</b> CHARGE MODE	<b>6V</b> CHARGE MODE	<b>6V</b> CHARGE MODE
	<b>12V</b> CHARGE MODE	<b>12V</b> CHARGE MODE	<b>12V</b> CHARGE MODE	<b>12V</b> CHARGE MODE
	<b>12V</b> AGM & LITHIUM CHARGE MODE	<b>12V</b> AGM & LITHIUM CHARGE MODE	<b>12V</b> AGM & LITHIUM CHARGE MODE	<b>12V</b> AGM & LITHIUM CHARGE MODE
			<b>12V</b> REPAIR MODE	<b>12V</b> REPAIR MODE
				<b>13.6V</b> POWER SUPPLY MODE
				<b>6V</b> AGM MODE



PROPRIETARY AND CONFIDENTIAL. COPYRIGHT © 2019 THE NOCO COMPANY

THIS DOCUMENT CONTAINS PROPRIETARY, CONFIDENTIAL, COPYRIGHTED, AND TRADE SECRET INFORMATION OF THE NOCO COMPANY AND ITS AFFILIATED COMPANIES ("NOCO"). ALL MATERIAL, INFORMATION, AND CONTENT ARE THE PROPERTY OF NOCO, AND NOCO RETAINS ALL RIGHT, TITLE, AND INTEREST THEREIN. THIS DOCUMENT MAY NOT BE COPIED, DISSEMINATED, DISCLOSED, PUBLISHED, DIVULGED, OR REPRODUCED, IN WHOLE OR IN PART, WITHOUT THE PRIOR WRITTEN CONSENT OF NOCO. TITLE IN AND TO THIS DOCUMENT (NO MATTER IF IN PRINTED, ELECTRONIC, OR ANY OTHER FORM) AND ALL INFORMATION CONTAINED HEREIN REMAINS AT ALL TIMES IN NOCO. NO INTELLECTUAL PROPERTY RIGHTS ARE TRANSFERRED TO YOU BY ACCESS TO THIS DOCUMENT OR OTHERWISE.



# NOCO X-CONNECT<sup>®</sup> ACCESSORIES



**LVGC001**

X-Connect  
Micro Clamps



**LVGC002**

X-Connect Eyelet  
Terminal Connector



**LVGC003**

X-Connect 12V  
Male Plug



**LVGC004**

X-Connect 10'  
Extension Cable



**LVGC006**

X-Connect  
G10 Clamps



**LVGC008**

X-Connect XL  
Eyelet Terminal



**LVGC009**

X-Connect SAE  
Adapter



**LVGC010**

X-Connect 12V  
Female Plug



**LVGC012**

X-Connect OBDII  
Connector



**LVGC013**

X-Connect  
Male-To-Male Coupler



**LVGC015**

X-Connect 12V  
Indicator



**LVGC016**

X-Connect 12V  
Dashmount Indicator



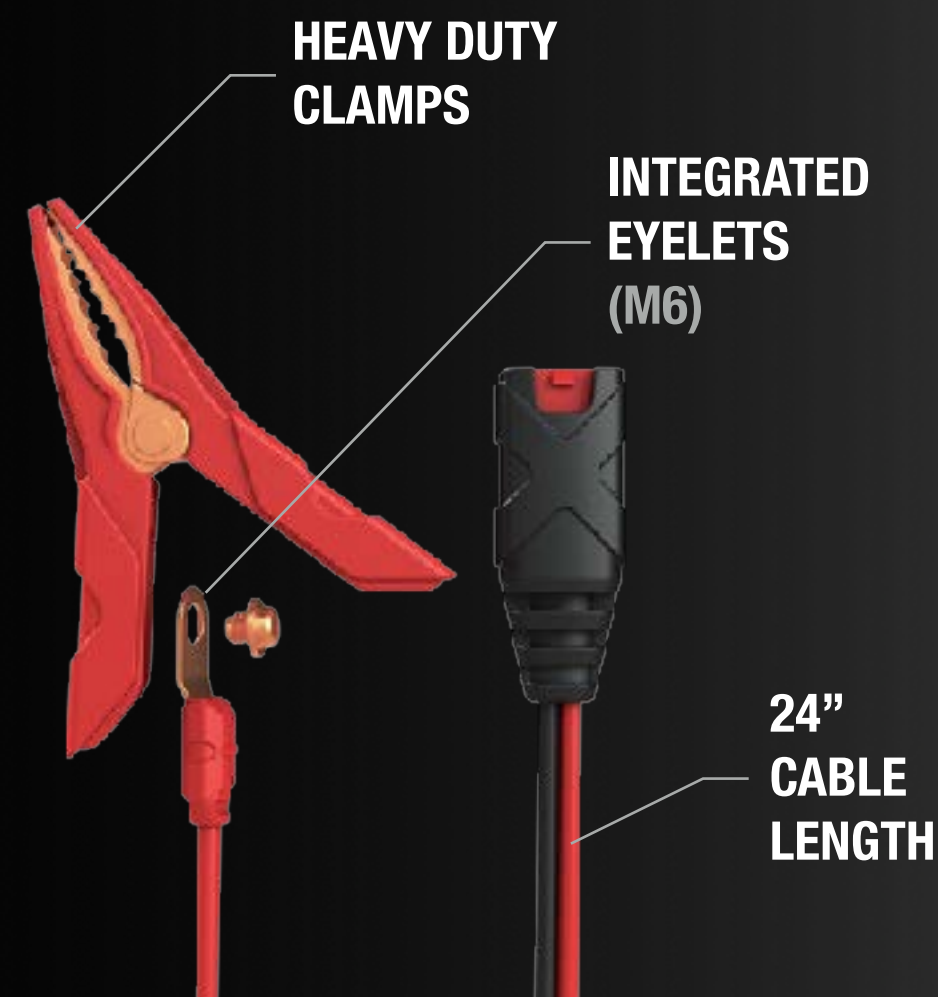
# LVGC001 X-CONNECT MICRO CLAMPS

## 16 AWG

INTEGRATED EYELETS  
**M6** HOLE SIZE



The GC001 allows a Genius charger to easily connect and disconnect from any battery.



**What's In The Box**

- GC001 X-Connect Eyelet Micro Clamps

**Retail Packaging**

Dimensions: 1.6\" x 5.1\" x 3.2\"  
Weight: XXX lbs  
UPC: 0-46221-XXXX

**Inner Carton:**

Dimensions: 1.8\" x 5.4\" x 3.5\"  
Weight: XXX lbs

**Master Carton:**

Dimensions: 11.3\" x 11.9\" x 11.6\"  
Weight: XXX lbs  
Quantity: 36  
UCC: 100462211XXXX

**Units Per Pallet:**

3,456 Units



# LVGC002 X-CONNECT EYELET TERMINAL CONNECTOR

16 AWG

M6 HOLE  
SIZE



Permanently mounting the GC002 to a battery allows any Genius charger to connect quickly and easily.



M6 EYELET  
HOLE SIZE  
(1/4 INCH)



24"  
CABLE  
LENGTH

**What's In The Box**

- GC002 X-Connect Eyelet Terminal Connector

**Retail Packaging**

Dimensions: 1.6" x 5.1" x 3.2"  
Weight: 0.20 lbs  
UPC: 0-46221-10055-6

**Inner Carton:**

Dimensions: 1.8" x 5.4" x 3.5"  
Weight: 0.24 lbs

**Master Carton:**

Dimensions: 11.3" x 11.9" x 11.6"  
Weight: 9.66 lbs  
Quantity: 36  
UCC: 10046221100553

**Units Per Pallet:**

3,456 Units



# LVGC003 X-CONNECT 12V MALE PLUG



16 AWG

12V MALE PLUG



The GC003 allows a Genius charger to charge and maintain a vehicle's battery through the 12V and 12V-mini auxiliary ports.



**What's In The Box**

- GC003 X-Connect 12V Male Plug

**Retail Packaging**

Dimensions: 1.6" x 5.1" x 3.2"  
Weight: 0.16 lbs  
UPC: 0-46221-10056-3

**Inner Carton:**

Dimensions: 1.8" x 5.4" x 3.5"  
Weight: 0.22 lbs

**Master Carton:**

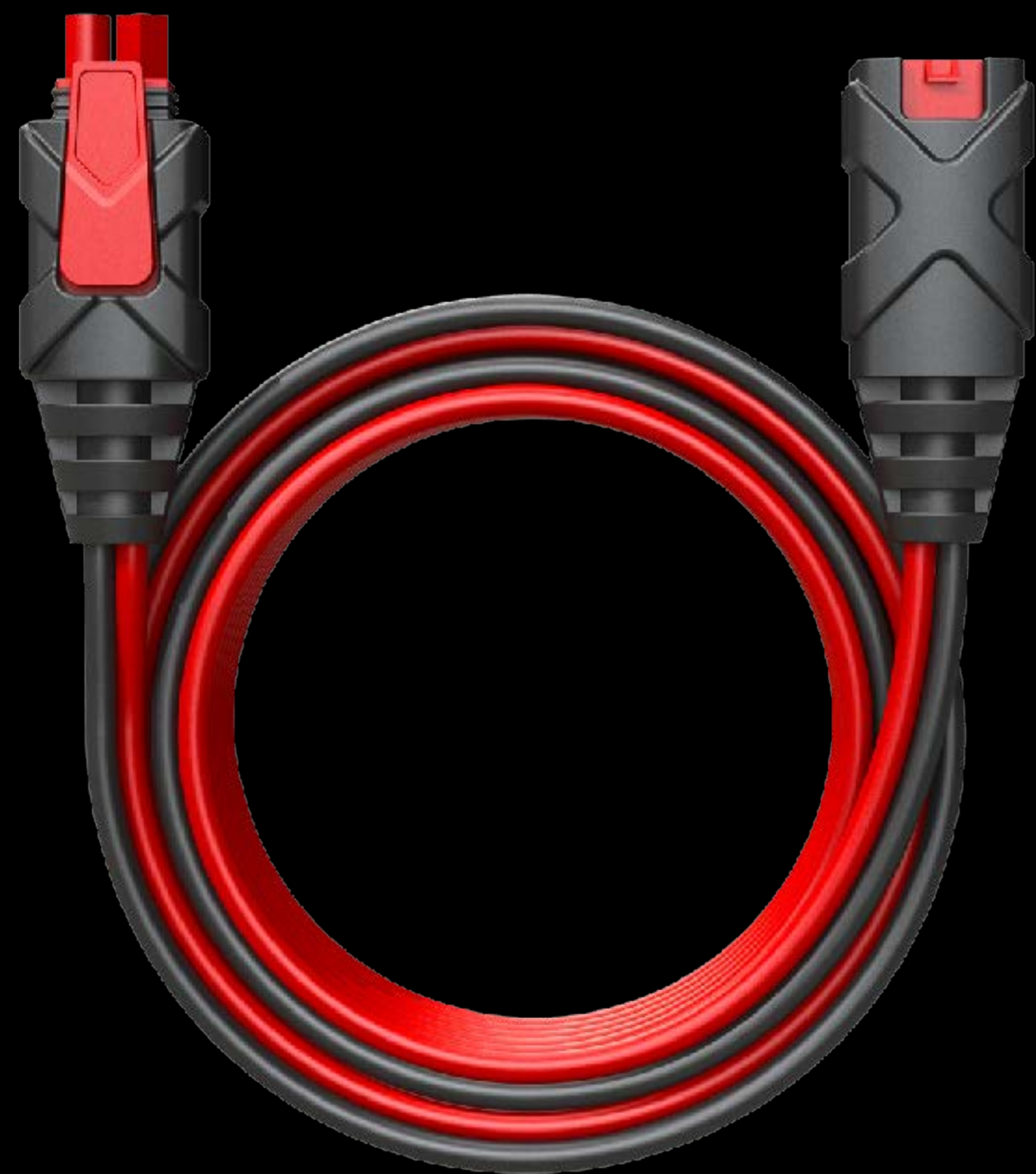
Dimensions: 11.3" x 11.9" x 11.6"  
Weight: 8.84 lbs  
Quantity: 36  
UCC: 10046221100560

**Units Per Pallet:**

3,456 Units



# LVGC004 X-CONNECT 10 FOOT EXTENSION CABLE



**16 AWG**

**10' CABLE LENGTH**

X-CONNECT MALE PLUG



X-CONNECT FEMALE PLUG



The GC004 extends the reach of any Genius battery charger or accessory, making it easier to reach awkward locations.



**What's In The Box**

- GC004 X-Connect 10 Foot Extension Cable

**Retail Packaging**

Dimensions: 1.6" x 5.1" x 3.2"  
Weight: 0.42 lbs  
UPC: 0-46221-10057-0

**Inner Carton:**

Dimensions: 1.8" x 5.4" x 3.5"  
Weight: 0.46 lbs

**Master Carton:**

Dimensions: 11.3" x 11.9" x 11.6"  
Weight: 17.66 lbs  
Quantity: 36  
UCC: 10046221100577

**Units Per Pallet:**

3,456 Units



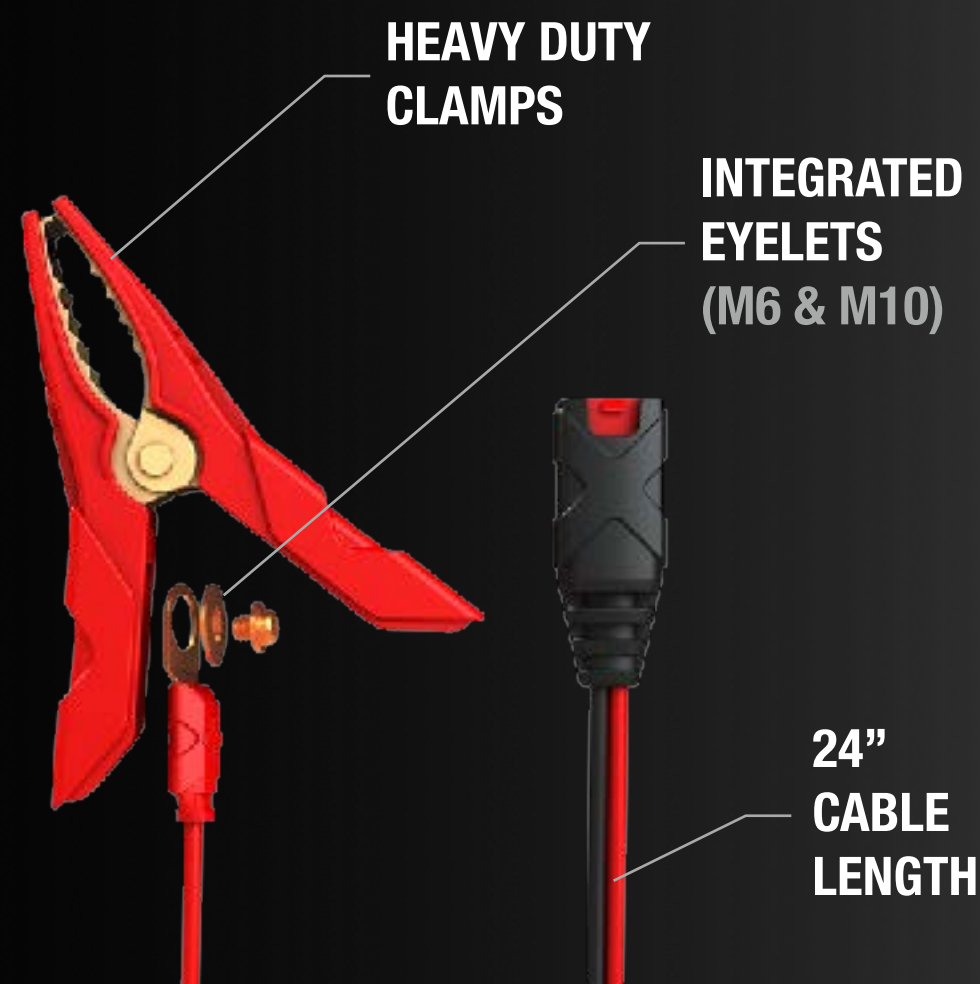
# LVGC006 X-CONNECT G10 CLAMPS



The GC006 allows a battery charger to easily connect and disconnect from any battery.

## 16 AWG

INTEGRATED EYELETS  
**M10** HOLE  
SIZE



**What's In The Box**

- GC002 X-Connect Eyelet Micro Clamps

**Retail Packaging**

Dimensions: 1.6" x 5.1" x 3.2"  
Weight: XXX lbs  
UPC: 0-46221-XXXX

**Inner Carton:**

Dimensions: 1.8" x 5.4" x 3.5"  
Weight: XXX lbs

**Master Carton:**

Dimensions: 11.3" x 11.9" x 11.6"  
Weight: XXX lbs  
Quantity: 36  
UCC: 100462211XXXX

**Units Per Pallet:**

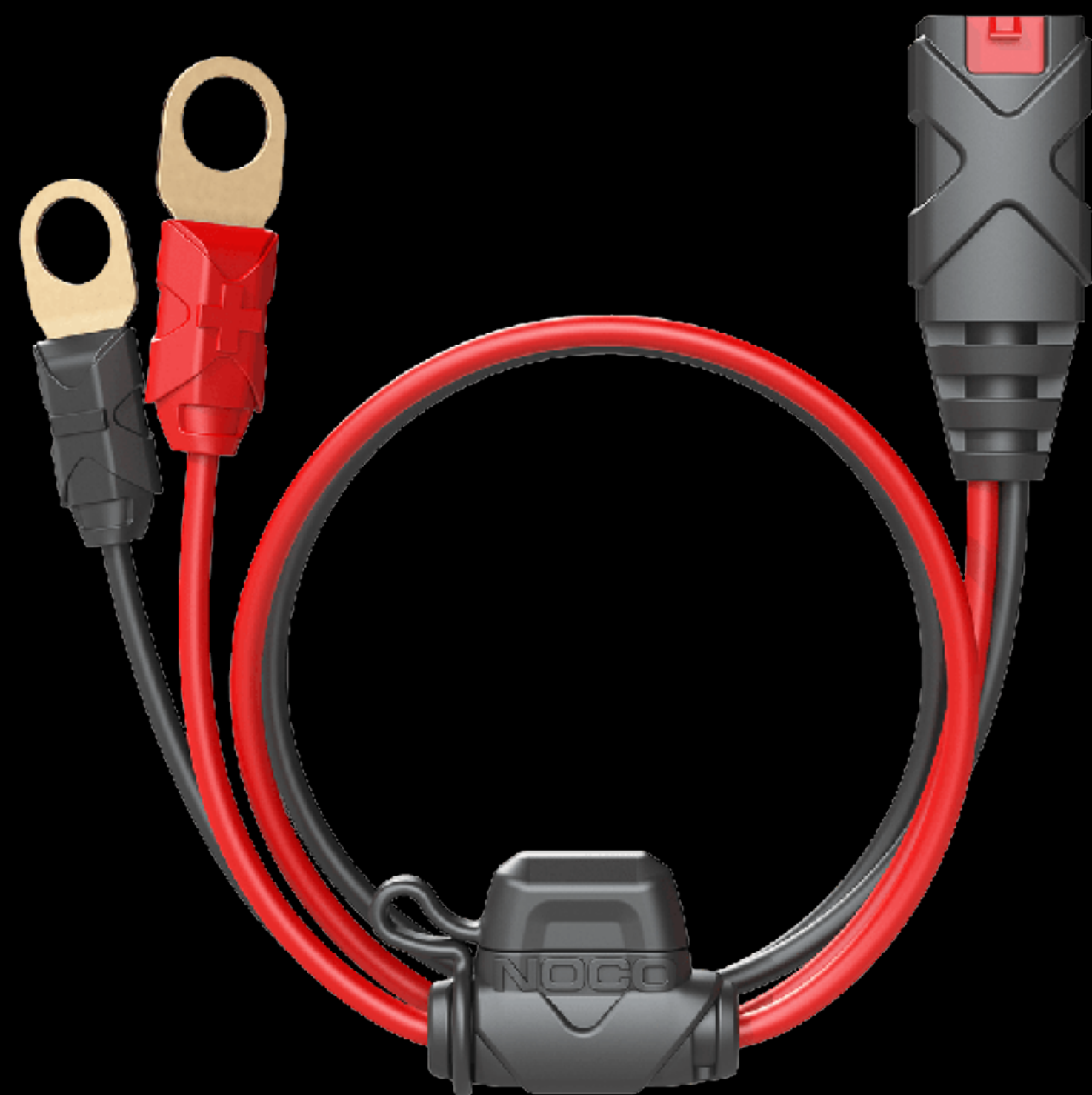
3,456 Units



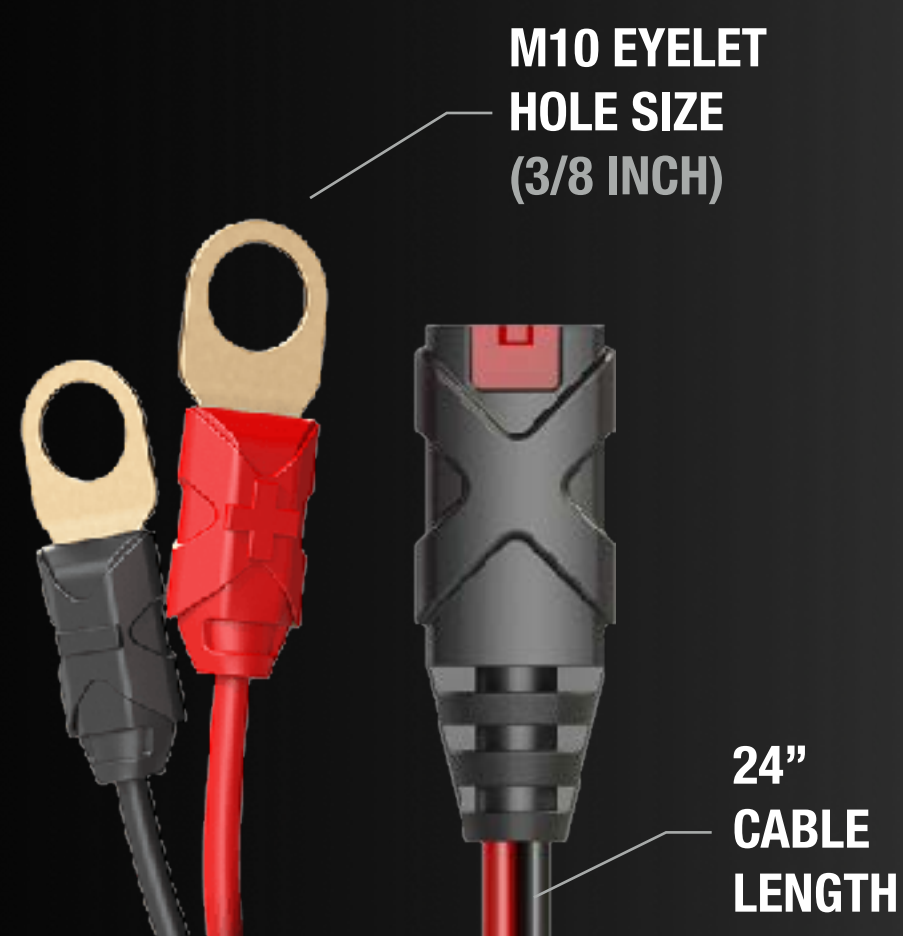
# LVGC008 X-CONNECT XL EYELET TERMINAL CONNECTOR

16 AWG

M10 HOLE SIZE



Permanently mounting the GC008 to a battery allows any Genius charger to connect quickly and easily.



**What's In The Box**

- GC008 X-Connect XL Eyelet Terminal Connector

**Retail Packaging**

Dimensions: 1.6" x 5.1" x 3.2"  
 Weight: 0.20 lbs  
 UPC: 0-46221-10070-9

**Inner Carton:**

Dimensions: 1.8" x 5.4" x 3.5"  
 Weight: 0.25 lbs

**Master Carton:**

Dimensions: 11.3" x 11.9" x 11.6"  
 Weight: 9.85 lbs  
 Quantity: 36  
 UCC: 10046221100706

**Units Per Pallet:**

3,456 Units

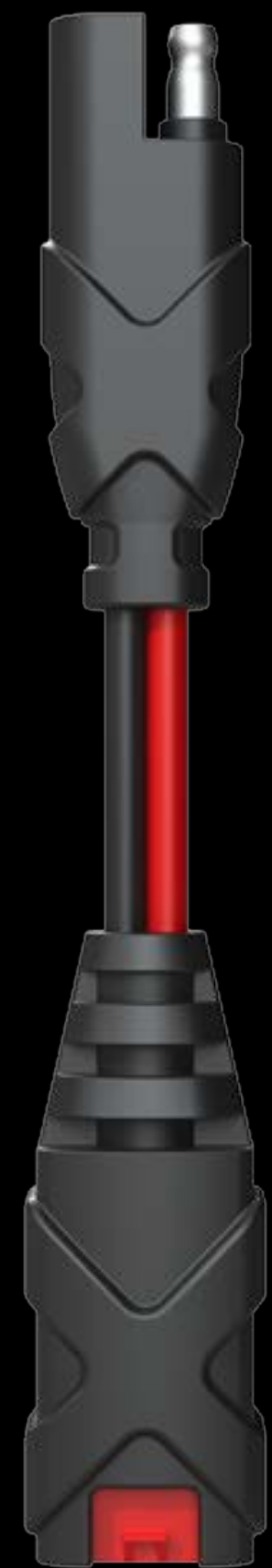


PROPRIETARY AND CONFIDENTIAL. COPYRIGHT © 2019 THE NOCO COMPANY

THIS DOCUMENT CONTAINS PROPRIETARY, CONFIDENTIAL, COPYRIGHTED, AND TRADE SECRET INFORMATION OF THE NOCO COMPANY AND ITS AFFILIATED COMPANIES ("NOCO"). ALL MATERIAL, INFORMATION, AND CONTENT ARE THE PROPERTY OF NOCO, AND NOCO RETAINS ALL RIGHT, TITLE, AND INTEREST THEREIN. THIS DOCUMENT MAY NOT BE COPIED, DISSEMINATED, DISCLOSED, PUBLISHED, DIVULGED, OR REPRODUCED, IN WHOLE OR IN PART, WITHOUT THE PRIOR WRITTEN CONSENT OF NOCO. TITLE IN AND TO THIS DOCUMENT (NO MATTER IF IN PRINTED, ELECTRONIC, OR ANY OTHER FORM) AND ALL INFORMATION CONTAINED HEREIN REMAINS AT ALL TIMES IN NOCO. NO INTELLECTUAL PROPERTY RIGHTS ARE TRANSFERRED TO YOU BY ACCESS TO THIS DOCUMENT OR OTHERWISE.



# LVGC009 X-CONNECT SAE ADAPTER



16 AWG

SAE OUTPUT  
ADAPTER

SAE ADAPTER



1" CABLE  
LENGTH

The GC009 allows SAE adapters and accessories to connect to Genius chargers.



**What's In The Box**

- GC009 X-Connect SAE Adapter

**Retail Packaging**

Dimensions: 1.6" x 5.1" x 3.2"  
Weight: 0.09 lbs  
UPC: 0-46221-11006-7

**Inner Carton:**

Dimensions: 1.8" x 5.4" x 3.5"  
Weight: 0.15 lbs

**Master Carton:**

Dimensions: 11.3" x 11.9" x 11.6"  
Weight: 6.31 lbs  
Quantity: 36  
UCC: 10046221120452

**Units Per Pallet:**

3,456 Units



# LVGC010 X-CONNECT 12V PLUG FEMALE OUTLET



The GC010 allows Genius chargers to act as a 12V outlet when set to power supply mode.

**16 AWG**

**12V FEMALE PLUG**



**What's In The Box**

- GC010 X-Connect 12V Plug Female Outlet

**Retail Packaging**

Dimensions: 1.6" x 5.1" x 3.2"  
 Weight: 0.20 lbs  
 UPC: 0-46221-12043-1

**Inner Carton:**

Dimensions: 1.8" x 5.4" x 3.5"  
 Weight: 0.26 lbs

**Master Carton:**

Dimensions: 11.3" x 11.9" x 11.6"  
 Weight: 10.63 lbs  
 Quantity: 36  
 UCC: 10046221120438

**Units Per Pallet:**

3,456 Units



# LVGC012 X-CONNECT OBDII CONNECTOR

## 16 AWG

### OBDII CONNECTOR CHARGING CAPABILITY



The GC012 allows Genius chargers to connect to OBDII ports for easy charging without any direct interaction to the battery. It can also be used with the 13.6V supply mode to maintain vehicle power during battery replacements.



**What's In The Box**

- GC012 X-Connect OBDII Connector

**Retail Packaging**

Dimensions: 1.6" x 5.1" x 3.2"  
Weight: 0.29 lbs  
UPC: 0-46221-12045-5

**Inner Carton:**

Dimensions: 1.8" x 5.4" x 3.5"  
Weight: 0.34 lbs

**Master Carton:**

Dimensions: 11.3" x 11.9" x 11.6"  
Weight: 13.47 lbs  
Quantity: 36  
UCC: 10046221120452

**Units Per Pallet:**

3,456 Units

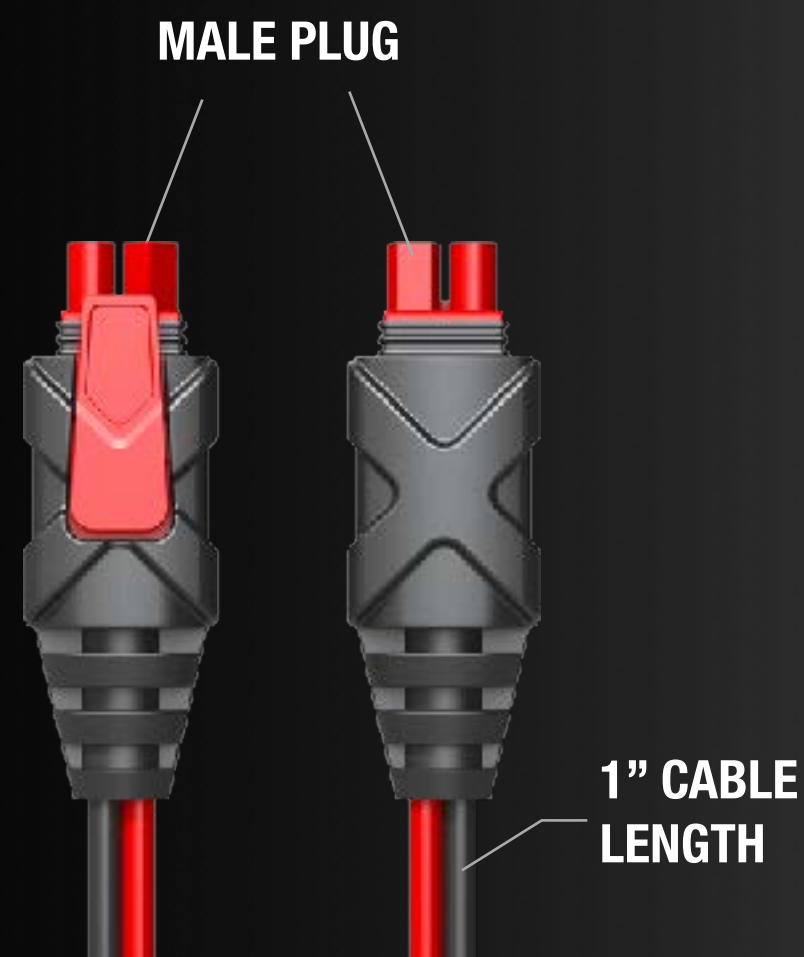


# LVGC013 X-CONNECT MALE-TO-MALE COUPLER



**16 AWG**

**MALE-TO-MALE COUPLER**



The GC013 allows NOCO accessories to connect to each other for endless possibilities.

**What's In The Box**

- GC013 X-Connect Male-To-Male Coupler

**Retail Packaging**

Dimensions: 1.6" x 5.1" x 3.2"  
 Weight: 0.10 lbs  
 UPC: 0-46221-12046-2

**Inner Carton:**

Dimensions: 1.8" x 5.4" x 3.5"  
 Weight: 0.15 lbs

**Master Carton:**

Dimensions: 11.3" x 11.9" x 11.6"  
 Weight: 6.39 lbs  
 Quantity: 36  
 UCC: 10046221120469

**Units Per Pallet:**

3,456 Units



PROPRIETARY AND CONFIDENTIAL. COPYRIGHT © 2019 THE NOCO COMPANY

THIS DOCUMENT CONTAINS PROPRIETARY, CONFIDENTIAL, COPYRIGHTED, AND TRADE SECRET INFORMATION OF THE NOCO COMPANY AND ITS AFFILIATED COMPANIES ("NOCO"). ALL MATERIAL, INFORMATION, AND CONTENT ARE THE PROPERTY OF NOCO, AND NOCO RETAINS ALL RIGHT, TITLE, AND INTEREST THEREIN. THIS DOCUMENT MAY NOT BE COPIED, DISSEMINATED, DISCLOSED, PUBLISHED, DIVULGED, OR REPRODUCED, IN WHOLE OR IN PART, WITHOUT THE PRIOR WRITTEN CONSENT OF NOCO. TITLE IN AND TO THIS DOCUMENT (NO MATTER IF IN PRINTED, ELECTRONIC, OR ANY OTHER FORM) AND ALL INFORMATION CONTAINED HEREIN REMAINS AT ALL TIMES IN NOCO. NO INTELLECTUAL PROPERTY RIGHTS ARE TRANSFERRED TO YOU BY ACCESS TO THIS DOCUMENT OR OTHERWISE.



# LVGC015

## X-CONNECT 12V INDICATOR



# 16 AWG

## CHARGE LEVEL INDICATOR

The GC015 can be permanently mounted to a battery for quick and easy charging while displaying the charge status of the battery.

M10 EYELET  
HOLE SIZE  
(3/8 INCH)

CHARGE  
STATUS  
INDICATOR



24"  
CABLE  
LENGTH



### What's In The Box

- GC015 X-Connect 12V Indicator

### Retail Packaging

Dimensions: 1.6" x 5.1" x 3.2"  
Weight: 0.22 lbs  
UPC: 0-46221-12022-6

### Inner Carton:

Dimensions: 1.8" x 5.4" x 3.5"  
Weight: 0.26 lbs

### Master Carton:

Dimensions: 11.3" x 11.9" x 11.6"  
Weight: 10.63 lbs  
Quantity: 36  
UCC: 10046221120223

### Units Per Pallet:

3,456 Units



# LVGC016

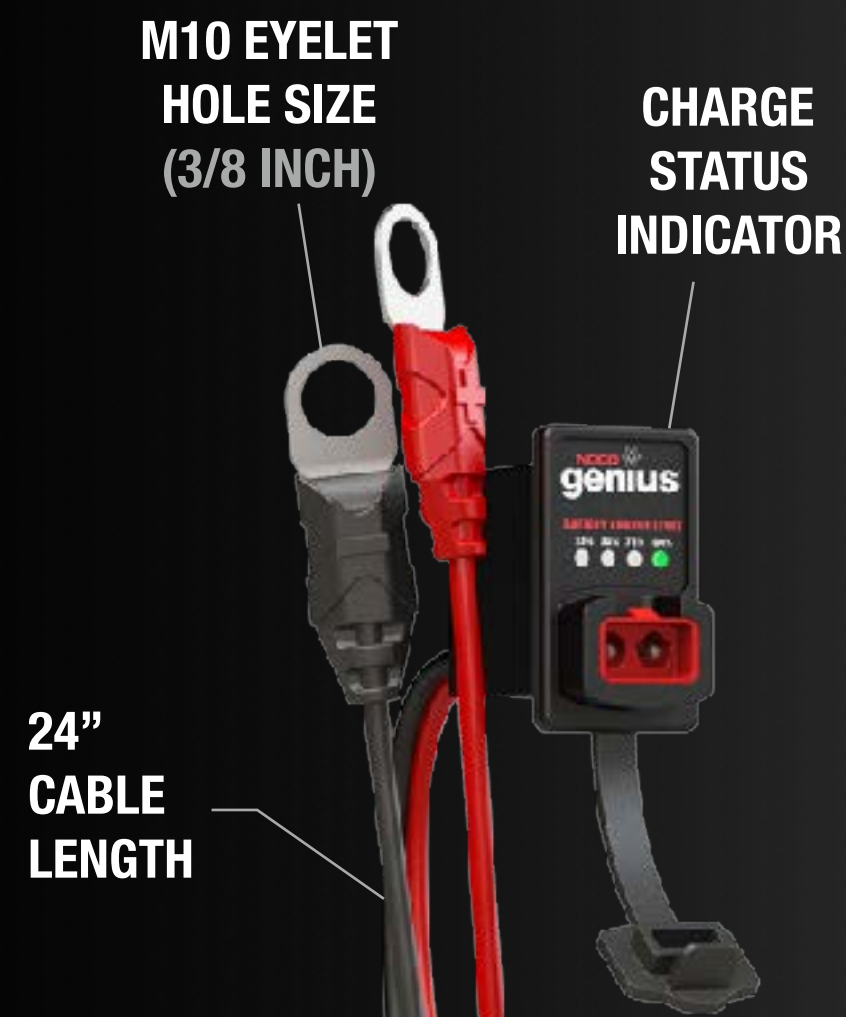
## X-CONNECT 12V BATTERY INDICATOR



# 16 AWG

## DASH-MOUNT INDICATOR

The GC016 can be permanently mounted to a battery for quick and easy charging while displaying the charge status of the battery.



### What's In The Box

- GC016 X-Connect 12V Dash-Mount Indicator

### Retail Packaging

Dimensions: 1.6" x 5.1" x 3.2"  
 Weight: 0.09 lbs  
 UPC: 0-46221-11006-7

### Inner Carton:

Dimensions: 1.8" x 5.4" x 3.5"  
 Weight: 0.15 lbs

### Master Carton:

Dimensions: 11.3" x 11.9" x 11.6"  
 Weight: 13.47 lbs  
 Quantity: 36  
 UCC: 10046221120469

### Units Per Pallet:

3,456 Units



PROPRIETARY AND CONFIDENTIAL. COPYRIGHT © 2019 THE NOCO COMPANY

THIS DOCUMENT CONTAINS PROPRIETARY, CONFIDENTIAL, COPYRIGHTED, AND TRADE SECRET INFORMATION OF THE NOCO COMPANY AND ITS AFFILIATED COMPANIES ("NOCO"). ALL MATERIAL, INFORMATION, AND CONTENT ARE THE PROPERTY OF NOCO, AND NOCO RETAINS ALL RIGHT, TITLE, AND INTEREST THEREIN. THIS DOCUMENT MAY NOT BE COPIED, DISSEMINATED, DISCLOSED, PUBLISHED, DIVULGED, OR REPRODUCED, IN WHOLE OR IN PART, WITHOUT THE PRIOR WRITTEN CONSENT OF NOCO. TITLE IN AND TO THIS DOCUMENT (NO MATTER IF IN PRINTED, ELECTRONIC, OR ANY OTHER FORM) AND ALL INFORMATION CONTAINED HEREIN REMAINS AT ALL TIMES IN NOCO. NO INTELLECTUAL PROPERTY RIGHTS ARE TRANSFERRED TO YOU BY ACCESS TO THIS DOCUMENT OR OTHERWISE.



Even if speeds were twice as great as they are today—and other motoring hazards likewise multiplied — you could still ride with confidence on  
**MOHAWK HEAVY DUTY BALLOONS**

**MOHAWK TIRES**

**MOHAWK TIRES**

**MOHAWK TIRES**

**MOHAWK TIRES**



PROPRIETARY AND CONFIDENTIAL. COPYRIGHT © 2019 THE NOCO COMPANY

THIS DOCUMENT CONTAINS PROPRIETARY, CONFIDENTIAL, COPYRIGHTED, AND TRADE SECRET INFORMATION OF THE NOCO COMPANY AND ITS AFFILIATED COMPANIES ("NOCO"). ALL MATERIAL, INFORMATION, AND CONTENT ARE THE PROPERTY OF NOCO, AND NOCO RETAINS ALL RIGHT, TITLE, AND INTEREST THEREIN. THIS DOCUMENT MAY NOT BE COPIED, DISSEMINATED, DISCLOSED, PUBLISHED, DIVULGED, OR REPRODUCED, IN WHOLE OR IN PART, WITHOUT THE PRIOR WRITTEN CONSENT OF NOCO. TITLE IN AND TO THIS DOCUMENT (NO MATTER IF IN PRINTED, ELECTRONIC, OR ANY OTHER FORM) AND ALL INFORMATION CONTAINED HEREIN REMAINS AT ALL TIMES IN NOCO. NO INTELLECTUAL PROPERTY RIGHTS ARE TRANSFERRED TO YOU BY ACCESS TO THIS DOCUMENT OR OTHERWISE

